

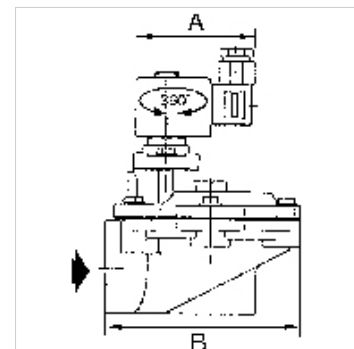
K-MV G 230 V, 50 - 60 HZ IV

Normally closed, 230 V / 50 to 60 Hz, internal pilot control

HANSA FLEX

Caratteristiche

Collegamento elettrico	ISO 4400 (Pg 11P connector socket)
Grado di protezione	IP65 (with connector socket fitted)
Temperatura del fluido	max. +90 °C
Pressione d'esercizio	min. 0,35 bar; max. 8,5 bar
Attacco per sfiato per forma 2	G 3/8 (K-07302231 und K-07302304), G 3/4 (K-07302232 und K-07302305, \nK-07302233 und K-07302306), Silencers can be retrofitted
Alloggiamento	Aluminium
Parti interne	Stainless steel
Membrana	Type 1 TPE (Hydrel); Type 2 CR (chlorophene/neoprene)
Guarnizione	Perbunan (NBR)



Nota

Altri dati su richiesta.

Descrizione

Environmental protection today demands state-of-the-art cleaning processes. Dust filter systems are an indispensable aid to pollution control. The fabric filters installed in these systems are cleaned by blowing in compressed air pulses in quick succession counter to the main direction of flow. The solenoid valves used for this purpose are characterised by the following application-specific design features:
- Angle type of construction to optimise the air flow
- Full cross-section at the valve seat
- Extremely fast opening and closing
- Quiet operation thanks to built-in silencers (can be retrofitted in sizes 1 1/2- to 2 1/2)
- Easy maintenance and repair because diaphragm and wearing parts are instantly available
The valves are not suitable as shut-off devices for standard applications.

Articolo

Denominazione	Filetto	NW	A (mm)	B (mm)	Forma costruttiva
K- 07 30 22 29	G 3/4	25,0	75,0	89,0	1
K- 07 30 22 30	G 1	25,0	75,0	89,0	1
K- 07 30 22 31	G 1 1/2	52,0	80,0	130,0	2
K- 07 30 22 32	G 2	66,0	80,0	168,0	2
K- 07 30 22 33	G 2 1/2	66,0	80,0	168,0	2