

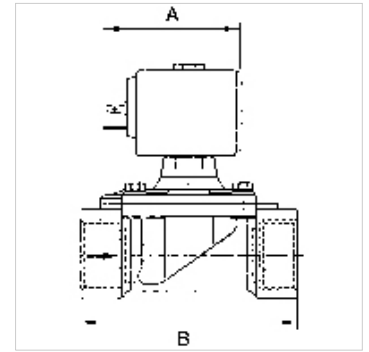
K-MV G Z 230 V, 50 - 60 HZ

Normally closed, combined operation, 230 V, 50 to 60 Hz

HANSA FLEX

Caratteristiche

Collegamento elettrico	For connector socket Pg 9/Pg 11, acc. to ISO 4400
Grado di protezione	IP65 (with connector socket fitted)
Temperatura del fluido	-10 °C to +90 °C (NBR); -10 °C bis +140 °C (FKM)
Alloggiamento, sede valvola	Brass
Parti interne	Stainless steel
Guarnizione	Perbunan (NBR) or FKM



Nota

Altri dati su richiesta.

Descrizione

Economy series available in three different versions: Directly operated, Combined operation, Pilot-operated. For all applications with compressed air, neutral gases or low-viscosity, neutral media.

Articolo

Denominazione	Filetto	pressione d'esercizio max. (bar)	NW	Materiale di tenuta	A (mm)	B (mm)	Forma costruttiva
K- 07 30 22 94	G 3/8	14	11,0	NBR/PA	54,0	56,0	8
K- 07 30 22 95	G 1/2	14	16,0	NBR/PA	54,0	70,0	8
K- 07 30 22 96	G 3/4	14	16,0	NBR/PA	54,0	70,0	8
K- 07 30 22 97	G 1	14	25,0	NBR/PA	67,0	104,0	8
K- 07 30 22 98	G 1	16	25,0	NBR/PA	54,0	104,0	8