

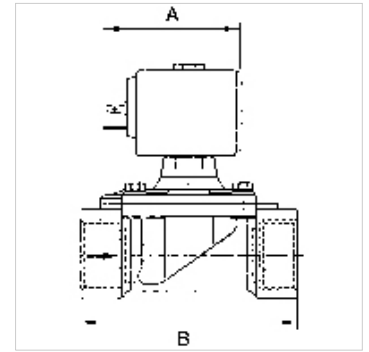
# K-MV O D 230 V, 50 - 60 HZ

Normally open, directly operated, 230 V, 50 to 60 Hz

**HANSA FLEX**

## Caratteristiche

<b>Collegamento elettrico</b>	For connector socket Pg 9/Pg 11, acc. to ISO 4400
<b>Grado di protezione</b>	IP65 (with connector socket fitted)
<b>Temperatura del fluido</b>	-10 °C to +90 °C (NBR); -10 °C bis +140 °C (FKM)
<b>Alloggiamento, sede valvola</b>	Brass
<b>Parti interne</b>	Stainless steel
<b>Guarnizione</b>	Perbunan (NBR) or FKM



## Nota

Altri dati su richiesta.

## Descrizione

Economy series available in three different versions: Directly operated, Combined operation, Pilot-operated. For all applications with compressed air, neutral gases or low-viscosity, neutral media.

## Articolo

Denominazione	Filetto	pressione d'esercizio max. (bar)	NW	Materiale di tenuta	A (mm)	B (mm)	Forma costruttiva
K- 07 30 23 66	G 1/8	20	2,0	FKM	54,0	40,0	2
K- 07 30 23 67	G 1/8	14	2,5	FKM	54,0	40,0	2
K- 07 30 23 68	G 1/4	10	3,0	FKM	54,0	40,0	2
K- 07 30 23 69	G 1/4	4	4,5	FKM	54,0	40,0	2