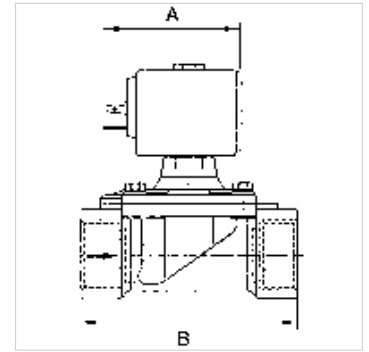


K-MV O V 230 V, 50 - 60 HZ 1

Normally open, pilot-operated, 230 V, 50 to 60 Hz

Caratteristiche

Collegamento elettrico	For connector socket Pg 9/Pg 11, acc. to ISO 4400
Grado di protezione	IP65 (with connector socket fitted)
Temperatura del fluido	-10 °C to +90 °C (NBR); -10 °C bis +140 °C (FKM)
Alloggiamento, sede valvola	Brass
Parti interne	Stainless steel
Guarnizione	Perbunan (NBR) or FKM



Nota

Altri dati su richiesta.

Descrizione

Economy series available in three different versions: Directly operated, Combined operation, Pilot-operated. For all applications with compressed air, neutral gases or low-viscosity, neutral media.

Articolo

Denominazione	Filetto	pressione d'esercizio max. (bar)	pressione d'esercizio min. (bar)	NW	Materiale di tenuta	A (mm)	B (mm)	Forma costruttiva
K- 07 30 23 70	G 3/8	16	0,20	13,0	NBR	54,0	60,0	4
K- 07 30 23 71	G 1/2	16	0,20	13,0	NBR	54,0	66,0	4
K- 07 30 23 72	G 3/4	16	0,20	19,0	NBR	54,0	104,0	6
K- 07 30 23 73	G 1	16	0,20	25,0	NBR	54,0	104,0	6
K- 07 30 23 74	G 1 1/4	10	0,20	35,0	NBR	54,0	144,0	6
K- 07 30 23 75	G 1 1/2	10	0,20	40,0	NBR	54,0	144,0	6
K- 07 30 23 76	G 2	10	0,20	50,0	NBR	54,0	172,0	6