

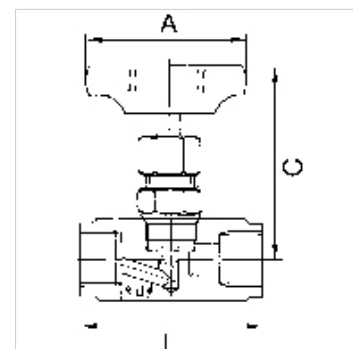
K-NADELVENTILE VA

Needle valves

HANSA FLEX

Caratteristiche

Pressione d'esercizio	max. 400 bar (at 20 °C); max. 250 bar (at G 1 - 20 °C)
Temperatura d'esercizio	-20 °C to +120 °C
Materiale di tenuta	PTFE
Alloggiamento	Stainless steel 1.4571
Volantino	Plastic
Materiale	sealing: PTFE



Nota

G thread acc. to DIN EN ISO 228-1, with ISO flange plate (acc. to ISO 5211)

Altri dati su richiesta.

Avvertenza per l'ordinazione

For use on devices that have to be vented whenever they are turned off, either because of safety regulations or for technical reasons. The pneumatic devices are disconnected from the system and simultaneously vented each time they are shut off.

Informazioni supplementari

Port sizes G 1 1/4, G 1 1/2 and G 2 available on request

Articolo

Denominazione	DN	Filetto	A (mm)	C (mm)	L (mm)
K- 07 30 24 03	4	G 1/8	50,0	74,0	50,0
K- 07 30 24 04	5	G 1/4	50,0	73,0	50,0
K- 07 30 24 05	6	G 3/8	50,0	72,0	55,0
K- 07 30 24 06	8	G 1/2	63,0	83,0	60,0
K- 07 30 24 07	10	G 3/4	63,0	100,0	75,0
K- 07 30 24 08	12	G 1	80,0	110,0	100,0