

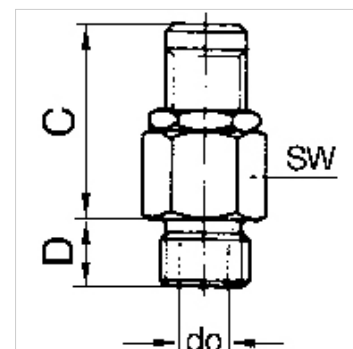
K-ABBLV VA 1

Stainless steel blow-off safety valves, G 1/8

HANSA FLEX

Caratteristiche

Pressione d'esercizio	0.5 - 60 bar
Temperatura d'esercizio	max. 180 °C
Guarnizioni di tenuta	FKM
Molla	Stainless steel 1.4310
Alloggiamento	Stainless steel 1.4305



Nota

G thread acc. to DIN EN ISO 228-1, with ISO flange plate (acc. to ISO 5211)
Altri dati su richiesta.

Descrizione

Manual adjustment of the blow-off pressure (lock nut).

Avvertenza per l'ordinazione

For use on devices that have to be vented whenever they are turned off, either because of safety regulations or for technical reasons. The pneumatic devices are disconnected from the system and simultaneously vented each time they are shut off.

Informazioni supplementari

These blow-off valves can also be supplied with a fixed setting and a TÜV type test number. Please ask for an offer.

Articolo

Denominazione	Filetto	Pressione di intervento	Portata di scarico	C (mm)	D (mm)	do (mm)	SW (mm)
K- 07 30 21 75	G 1/8	0.5 - 1.0 bar	to 50 l/min	27,0	7,0	3,0	16
K- 07 30 21 76	G 1/8	1.0 - 4.0 bar	to 200 l/min	27,0	7,0	3,0	16
K- 07 30 21 77	G 1/8	3.0 - 7.0 bar	to 350 l/min	27,0	7,0	3,0	16
K- 07 30 21 78	G 1/8	6.0 - 12.0 bar	to 650 l/min	27,0	7,0	3,0	16
K- 07 30 21 79	G 1/8	10.0 - 18.0 bar	to 870 l/min	27,0	7,0	3,0	16
K- 07 30 21 80	G 1/8	16.0 - 32.0 bar	to 1600 l/min	27,0	7,0	3,0	16
K- 07 30 21 81	G 1/8	30.0 - 60.0 bar	to 3000 l/min	27,0	7,0	3,0	16