

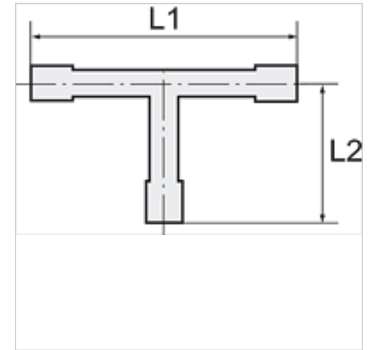
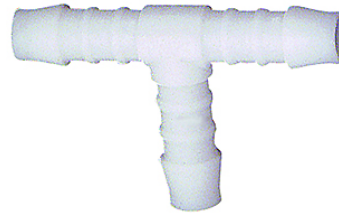
K-T-SCHLAUCH VB STUTZEN POM

Tee hose connectors, POM

HANSA FLEX

Caratteristiche

Campo della temperatura: -40 °C to +90 °C



Nota

Altri dati su richiesta.

Descrizione

Lightweight tube connectors distinguished by high strength, toughness, resistance to abrasion and impact resistance. Resistant to: Acetone, benzene, benzene, butane, alcohols, diesel fuels, crude oil, natural gas, ethanol, fruit juices, glycerine, fuel oil, hydraulic fluids, aliphatic ketones, carbon dioxide, carbonic acid, engine oils, methanol, propane, liquefied gas, lubricating oils, lubricating greases, town gas, washing liquor and water.

Articolo

Denominazione	per flessibile	L1 (mm)	L2 (mm)	max. sovrappressione ammessa (bar)
K- 07 40 17 28	LW 3 mm	25,0	12,5	10
K- 07 40 17 29	LW 4 mm	35,0	19,5	10
K- 07 40 17 30	LW 5 mm	42,0	22,0	10
K- 07 40 17 31	LW 6 mm	50,0	26,0	10
K- 07 40 17 32	LW 8 mm	58,0	30,0	10
K- 07 40 17 33	LW 10 mm	62,5	33,5	10
K- 07 40 17 34	LW 12 mm	69,0	36,0	10
K- 07 40 17 35	LW 13 mm	69,0	36,0	10
K- 07 40 17 36	LW 16 mm	81,0	45,0	10
K- 07 40 17 37	LW 19 mm	85,0	45,0	10
K- 07 40 46 58	LW 25 mm	105,0	52,5	10