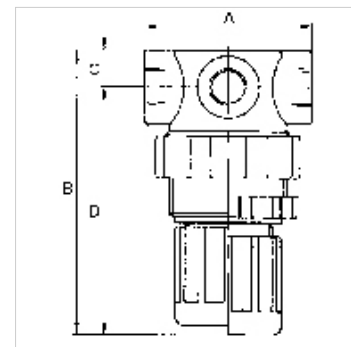


# K-DBV MANO 1/4"

Pressure limiting valves size 1/4

## Caratteristiche

<b>Tipo</b>	Spring-loaded, non-return diaphragm valve with adjustable opening pressure
<b>Temperatura del fluido</b>	max. 60 °C
<b>Temperatura ambiente</b>	Max. 60 °C
<b>Materiale di tenuta</b>	NBR
<b>Calotta elastica</b>	POM/brass
<b>Alloggiamento</b>	Die-cast zinc, painted silver
<b>Membrana</b>	NBR



## Nota

Altri dati su richiesta.

## Descrizione

Manually adjustable overflow valves. For protecting pneumatic systems against damage caused by excess pressure.

## Articolo

Denominazione	Filetto	Intervallo di regolazione	A (mm)	B	C (mm)	D (mm)
K- 07 25 01 93	G 1/4	0.1 - 2.0 bar	43,0	70,0 mm	10,0	60,0
K- 07 25 01 94	G 1/4	0.1 - 3.0 bar	43,0	70,0 mm	10,0	60,0
K- 07 25 01 95	G 1/4	0.15 - 7.0 bar	43,0	70,0 mm	10,0	60,0
K- 07 25 01 96	G 1/4	0.5 - 10.0 bar	43,0	70,0 mm	10,0	60,0

## Parti di ricambio

K-HALTERBAUSATZ	Holder
K-SCHALTAFELMUTTER	Nut
K-VERSCHLEI-SATZ	Set of wearing parts
K-SCHALLDAE SINTERBR AG 569	Silencers, sintered bronze, flat type with male thread, 569 Series
K-GERAETESTECKER	Coupling socket