

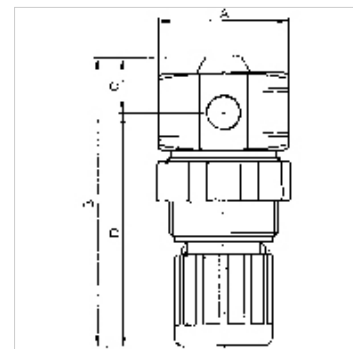
K-DRG FLUESSIGE MEDIEN O MANO VA

Stainless steel pressure regulators 1.4571

HANSA FLEX

Caratteristiche

Pressione d'ingresso	Max. 25 bar
Temperatura del fluido	max. 80 °C
Temperatura ambiente	Max. 80 °C
Materiale di tenuta	FKM
Molla di compressione	Stainless steel (10 bar variant), Steel (2 and 6 bar variants)
Alloggiamento	Stainless steel V4A (1.4571)
Parti interne	Stainless steel V4A (1.4571)
Membrana	FKM
Misurazione del valore della portata	At P1 = 8 bar, P2 = 6 bar and pressure drop $\Delta p \leq 1$ bar



Nota

Altri dati su richiesta.

Descrizione

Diaphragm pressure regulators with non-self-relieving design. The pressure setting can be locked by pushing the knob down.

Articolo

Denominazione	Filetto	Intervallo di regolazione	Portata (L/min)	A (mm)	B	C (mm)	D (mm)
K- 07 25 02 12	G 1/4	0.1 - 2 bar	400	36,0	81,0 mm	16,0	65,0
K- 07 25 02 13	G 1/4	0.2 - 6 bar	400	36,0	81,0 mm	16,0	65,0
K- 07 25 02 14	G 1/4	0.5 - 10 bar	350	36,0	81,0 mm	16,0	65,0

Parti di ricambio

K-HALTERBAUSATZ	Holder
K-MANO 3	Pressure gauge
K-VERSCHLEI-SATZ	Set of wearing parts