

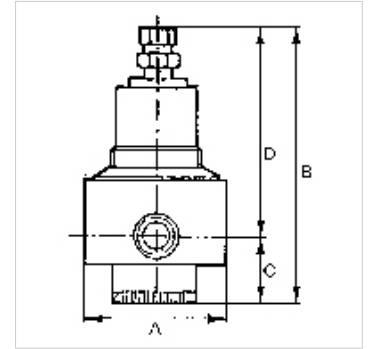
# K-DRG FL RUECKSTERERBAR M MANO VA

Non-reversible, stainless steel pressure regulators for liquid media,  
stainless steel pressure gauge

**HANSA FLEX**

## Caratteristiche

<b>Pressione d'ingresso</b>	Max. 30 bar (Control range 0.5 - 8.0 bar), Max. 50 bar (Control range 1.0 - 15.0 bar)
<b>Temperatura del fluido</b>	max. 80 °C
<b>Temperatura ambiente</b>	Max. 80 °C
<b>Materiale di tenuta</b>	FKM
<b>Membrana</b>	PTFE on NBR base
<b>Materiale</b>	stainless steel 1.4404 (AISI 316L)
<b>Misurazione del valore della portata</b>	At P1 = 8 bar, P2 = 6 bar and pressure drop $\Delta p \leq 1$ bar



## Nota

Altri dati su richiesta.

## Descrizione

Stainless steel regulators containing no non-ferrous metals for use in the food processing, chemical, mining, plant construction and special machinery industries as well as in the medical technology.

## Avvertenza per l'ordinazione

NPT thread available on request

## Articolo

Denominazione	Filetto	Intervallo di regolazione	Portata (L/min)	A (mm)	B	C (mm)	D (mm)
K- 07 25 02 10	G 1/4	0.5 - 8.0 bar	200	65,0	162,0 mm	37,0	125,0
K- 07 25 02 11	G 1/4	1.0 - 15.0 bar	330	65,0	162,0 mm	37,0	125,0
K- 07 25 02 08	G 1/2	0.5 - 8.0 bar	660	80,0	164,0 mm	37,0	127,0
K- 07 25 02 09	G 1/2	1.0 - 15.0 bar	1800	80,0	164,0 mm	37,0	127,0

## Parti di ricambio

<b>K-HALTERBAUSATZ EDELSTAHL</b>	Holder
<b>K-MANO</b>	Pressure gauges (CrNi steel type / connection on rear)
<b>K-VERSCHLEI-SATZ</b>	Set of wearing parts