

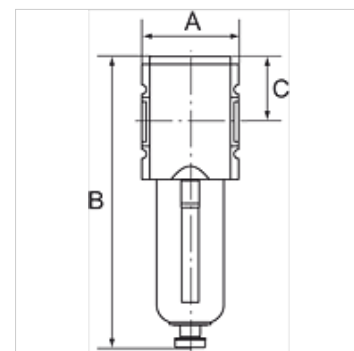
# K-FI AK KOH PC-BEHAE SCHUTZK HANSA

Activated carbon filters

**HANSA FLEX**

## Caratteristiche

Pressione d'ingresso	0 - 16 bar
Campo della temperatura:	-10 °C to +50 °C
Mezzi	Aria compressa
Filettatura attacco	Material: Die-cast zinc
Serbatoio	Polycarbonate (with bayonet lock)
Elemento filtrante	Activated carbon
Alloggiamento	Material: Grivory® (PA 66)
Cestello di protezione	Polyamide
Tenore di olio residuo	0.005 mg/m <sup>3</sup> , class 0 acc. to DIN ISO 8573-1
Misurazione del valore della portata	At P2 = 6 bar and pressure drop $\Delta p = 0.5$ bar



## Nota

Altri dati su richiesta.

## Descrizione

Activated carbon filters in modern design for compliance with strict compressed air purity requirements. Activated carbon filters are used to absorb oil vapour up to a residual oil content of 0.005 mg/m<sup>3</sup> from compressed air and gases.

## Articolo

Denominazione	Filetto	Portata (L/min)	A (mm)	B	C (mm)
K- 07 25 10 41	G 1/4	500	52,0	157,0 mm	34,0
K- 07 25 10 42	G 3/8	500	52,0	157,0 mm	34,0
K- 07 25 10 43	G 3/8	1600	63,0	183,0 mm	42,5
K- 07 25 10 44	G 1/2	1600	63,0	183,0 mm	42,5
K- 07 25 10 23	G 3/4	3000	85,0	240,5 mm	58,0
K- 07 25 10 24	G 1	3000	85,0	240,5 mm	58,0

## Parti di ricambio

K-HALTERBAUSATZ HANSA	Holder HANSA
K-ERSATZBEHAELTER HANSA POLY	Spare tank HANSA polycarbonat