

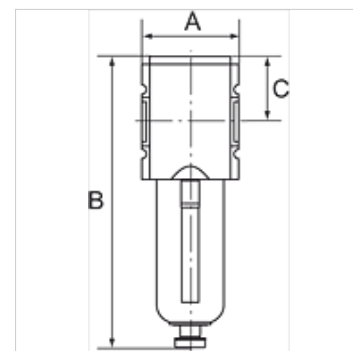
K-FI PC-BEHÄLTER SCHUTZK HANSA

Filters

HANSA FLEX

Caratteristiche

Pressione d'ingresso	1.5 - 16 bar
Campo della temperatura:	-10 °C to +50 °C
Mezzi	Aria compressa
Finezza del filtro	5,00 µm
Materiale di tenuta	NBR
Filettatura attacco	Material: Die-cast zinc
Serbatoio	Polycarbonate (with bayonet lock)
Elemento filtrante	Cellpor (PE)
Alloggiamento	Material: Grivory® (PA 66)
Cestello di protezione	Polyamide
Misurazione del valore della portata	At P2 = 6 bar, pressure drop $\Delta p = 1$ bar



Nota

Altri dati su richiesta.

Descrizione

Filters with excellent flow rates in modern design.

Articolo

Denominazione	Filetto	Portata (L/min)	A (mm)	B	C (mm)	Dimensioni strutturali	Scarico della condensa
K- 07 25 05 64	G 1/4	2000	52,0	164,0 mm	34,0	1	Semi
K- 07 25 05 65	G 3/8	2000	52,0	164,0 mm	34,0	1	Semi
K- 07 25 05 66	G 3/8	3500	63,0	189,5 mm	42,5	2	Semi
K- 07 25 05 67	G 1/2	3500	63,0	189,5 mm	42,5	2	Semi
K- 07 25 05 60	G 3/4	9000	85,0	250,0 mm	58,0	4	Semi
K- 07 25 05 61	G 1	9000	85,0	250,0 mm	58,0	4	Semi
K- 07 25 05 68	G 1/4	2000	52,0	181,0 mm	34,0	1	Auto
K- 07 25 05 69	G 3/8	2000	52,0	181,0 mm	34,0	1	Auto
K- 07 25 05 70	G 3/8	3500	63,0	206,0 mm	42,5	2	Auto
K- 07 25 05 71	G 1/2	3500	63,0	206,0 mm	42,5	2	Auto
K- 07 25 05 62	G 3/4	9000	85,0	264,0 mm	58,0	4	Auto
K- 07 25 05 63	G 1	9000	85,0	264,0 mm	58,0	4	Auto

Parti di ricambio

K-HALTERBAUSATZ HANSA	Holder HANSA
K-ERSATZBEHÄLTER HANSA POLY	Spare tank HANSA polycarbonat
K-FILTERELEMENT	Filter element