

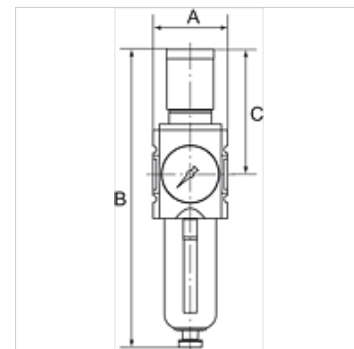
K-FI REGL PC-BEHÄEL S MANO HANSA

Filter regulators

HANSA FLEX

Caratteristiche

Pressione d'ingresso	1.5 - 16 bar
Pressione d'uscita	0.5 - 8 bar
Campo della temperatura:	-10 °C to +50 °C
Mezzi	Aria compressa
Finezza del filtro	5,00 µm
Filettatura attacco	Material: Die-cast zinc
Serbatoio	Polycarbonate (with bayonet lock)
Elemento filtrante	Cellpor (PE)
Alloggiamento	Material: Grivory® (PA 66)
Membrana	NBR
Consumo proprio d'aria	Max. 1.5 l/min (depending on secondary pressure)
Misurazione del valore della portata	At P1 = 10 bar, P2 = 6.3 bar and pressure drop $\Delta p = 1$ bar



Nota

Altri dati su richiesta.

Descrizione

Filter regulators with excellent flow rates in modern design. The regulator knob can be latched and locked.

Avvertenza per l'ordinazione

The price does not include a key lock. Please order separately.

Articolo

Denominazione	Filetto	Portata (L/min)	A (mm)	B	C (mm)	Dimensioni strutturali	Scarico della condensa
K- 07 25 06 57	G 1/4	2200	52,0	225,0 mm	95,5	-	Semi
K- 07 25 06 58	G 3/8	2600	52,0	225,0 mm	95,5	-	Semi
K- 07 25 06 59	G 3/8	4300	63,0	257,0 mm	110,0	-	Semi
K- 07 25 06 60	G 1/2	5200	63,0	257,0 mm	110,0	-	Semi
K- 07 25 06 53	G 3/4	14000	85,0	329,0 mm	137,0	-	Semi
K- 07 25 06 54	G 1	14000	85,0	329,0 mm	137,0	-	Semi
K- 07 25 06 61	G 1/4	2200	52,0	243,0 mm	95,5	-	Auto
K- 07 25 06 62	G 3/8	2600	52,0	243,0 mm	95,5	-	Auto
K- 07 25 06 63	G 3/8	4300	63,0	274,0 mm	110,0	-	Auto
K- 07 25 06 64	G 1/2	5200	63,0	274,0 mm	110,0	-	Auto
K- 07 25 06 55	G 3/4	14000	85,0	343,0 mm	137,0	4	Auto
K- 07 25 06 56	G 1	14000	85,0	343,0 mm	137,0	4	Auto

Accessori

K-STECKSCHLOSS Key lock

Parti di ricambio

K-HALTERBAUSATZ HANSA	Holder HANSA
K-ERSATZBEHAELTER HANSA POLY	Spare tank HANSA polycarbonat
K-SCHALTTAFELMUTTER HANSA	Nut HANSA
K-FILTERELEMENT	Filter element
K-DICHTSATZ HANSA	Set of seals HANSA