

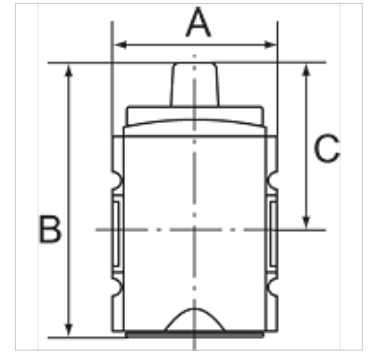
K-3/2-BKR HANSA

Ball valves

HANSA FLEX

Caratteristiche

Pressione d'ingresso	0 - 16 bar
Campo della temperatura:	-10 °C to +50 °C
Mezzi	Aria compressa
Filettatura attacco	Material: Die-cast zinc
Alloggiamento	Material: Grivory® (PA 66)
Misurazione del valore della portata	At P2 = 6 bar, pressure drop $\Delta p = 1$ bar



Nota

Altri dati su richiesta.

Descrizione

Closable ball valve in 3/2-way design, mechanically actuated. Toggle 90° rotatable and with switch position indicator: Traverse: Inlet port blocked - outlet port exhausted

Longitudinal: Inlet port and outlet port connected - exhaust blocked. Exhaust air can be collected.

Informazioni supplementari

The price does not include a padlock. Please order separately.

Articolo

Denominazione	Filetto	Uscita	Portata (L/min)	A (mm)	B	C (mm)
K- 07 25 11 23	G 1/4	1/4	1900	52,0	87,5 mm	54,5
K- 07 25 11 24	G 3/8	1/4	1900	52,0	87,5 mm	54,5
K- 07 25 11 43	G 3/8	1/2	11000	63,0	127,0 mm	70,5
K- 07 25 11 44	G 1/2	1/2	11000	63,0	127,0 mm	70,5
K- 07 25 11 45	G 3/4	3/4	25000	85,0	144,7 mm	93,7
K- 07 25 11 46	G 1	3/4	25000	85,0	144,7 mm	93,7

Accessori

K-VORHAENGESCHLOSS Padlock

Parti di ricambio

K-HALTERBAUSATZ HANSA Holder HANSA