

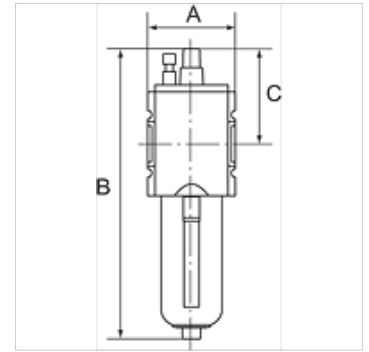
K-NEBELOEL PC-BEHÄEL SCHUTZK HANSA

Oil-mist lubricators

HANSA FLEX

Caratteristiche

| | |
|--------------------------------------|---|
| Pressione d'ingresso | 0.5 - 16 bar |
| Campo della temperatura: | -10 °C to +50 °C |
| Mezzi | Aria compressa |
| Materiale di tenuta | NBR |
| Filettatura attacco | Material: Die-cast zinc |
| Serbatoio | Polycarbonate (with bayonet lock) |
| Alloggiamento | Material: Grivory® (PA 66) |
| Cestello di protezione | Polyamide |
| Contagocce | PA |
| Tipo di olio | CL 32 acc. to DIN 51517 - ISO VG 32 |
| Misurazione del valore della portata | At P2 = 6 bar, pressure drop $\Delta p = 1$ bar |



Nota

Altri dati su richiesta.

Descrizione

Oil-mist lubricators with excellent flow rates in modern design. These devices can be used to top up oil automatically. A hose must be connected to the threaded nipple on the oil bowl for this purpose. When the oil filling button on the top of the device is pressed, a Venturi nozzle opens and sucks oil into the bowl under vacuum.

Articolo

| Denominazione | Filetto | Portata (L/min) | A (mm) | B | C (mm) |
|----------------|---------|--------------------|-----------|----------|-----------|
| K- 07 25 08 79 | G 1/4 | 2800 | 52,0 | 183,0 mm | 62,2 |
| K- 07 25 08 80 | G 3/8 | 2800 | 52,0 | 183,0 mm | 62,2 |
| K- 07 25 08 81 | G 3/8 | 8000 | 63,0 | 208,2 mm | 69,7 |
| K- 07 25 08 82 | G 1/2 | 8000 | 63,0 | 208,2 mm | 69,7 |
| K- 07 25 08 77 | G 3/4 | 16000 | 85,0 | 270,4 mm | 87,9 |
| K- 07 25 08 78 | G 1 | 16000 | 85,0 | 270,4 mm | 87,9 |

Parti di ricambio

| | |
|------------------------------|-------------------------------|
| K-HALTERBAUSATZ HANSA | Holder HANSA |
| K-ERSATZBEHÄELTER HANSA POLY | Spare tank HANSA polycarbonat |
| K-TROPFAUFSATZ HANSA | Drip attachment HANSA |