

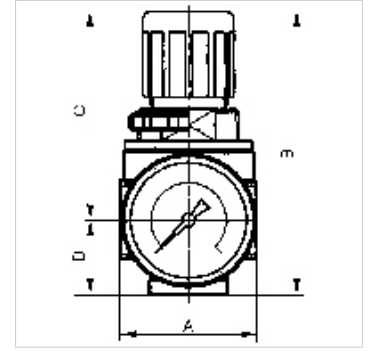
# K-DRG MULTIFIX MINI

Pressure regulators

**HANSA FLEX**

## Caratteristiche

Pressione d'ingresso	Max. 16 bar
Temperatura del fluido	max. 60 °C
Temperatura ambiente	Max. 60 °C
Materiale di tenuta	NBR
Calotta elastica	POM-brass
Alloggiamento	Die-cast zinc
Misurazione del valore della portata	At P1 = 8 bar, P2 = 6 bar and pressure drop $\Delta p = 1$ bar



## Nota

Altri dati su richiesta.

## Descrizione

Reversible diaphragm pressure regulators, independent of inlet pressure, with self-relieving design. The pressure setting can be locked by pushing the button down.

## Avvertenza per l'ordinazione

Lockable pressure regulators: K-07250001 and K-07250007 (prices on request). If several devices in the »multiflex-mini« Series are assembled together, the maximum working pressure is 12 bar.

## Articolo

Denominazione	Filetto	Intervallo di regolazione	Portata (L/min)	A (mm)	B	C (mm)	D (mm)	DN	Dimensioni strutturali
K- 07 25 00 03	G 1/8	0.1 - 3 bar	1100	40,0	85,0 mm	63,0	22,0	5	0
K- 07 25 00 04	G 1/8	0.2 - 6 bar	1100	40,0	85,0 mm	63,0	22,0	5	0
K- 07 25 00 01	G 1/8	0.5 - 10 bar	1100	40,0	85,0 mm	63,0	22,0	5	0
K- 07 25 00 02	G 1/8	0.5 - 16 bar	1100	40,0	85,0 mm	63,0	22,0	5	0
K- 07 25 00 05	G 1/4	0.1 - 3 bar	1100	40,0	85,0 mm	63,0	22,0	5	0
K- 07 25 00 06	G 1/4	0.2 - 6 bar	1100	40,0	85,0 mm	63,0	22,0	5	0
K- 07 25 00 07	G 1/4	0.5 - 10 bar	1100	40,0	85,0 mm	63,0	22,0	5	0

## Parti di ricambio

K-HALTERBAUSATZ	Holder
K-SCHALTTAFELMUTTER	Nut
K-KOPPELPAKET MEHR	Coupling packet
K-VERSCHLEI-SATZ	Set of wearing parts