

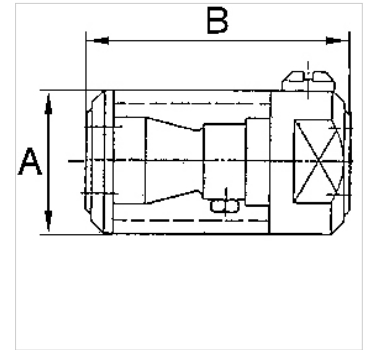
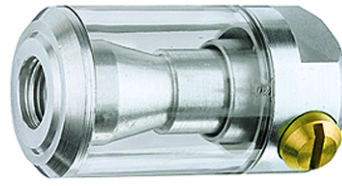
K-NEBELOELER MINI

Mini oil-mist lubricator

HANSA FLEX

Caratteristiche

Pressione d'esercizio	min. 2 bar - max. 6 bar
Temperatura del fluido	max. 50 °C
Temperatura ambiente	Max. 50 °C
Posizione di montaggio direzione portata	Oil intake at the lowest point/any
Serbatoio dell'olio	Polycarbonate
Tipo di olio	CL 32 acc. to DIN 51517 - ISO VG 32



Nota

Altri dati su richiesta.

Descrizione

For mounting on pneumatic impact tools (nail drivers, tackers, screwdrivers) which work intermittently. Also suitable for tools with continuous compressed air demand (grinding and polishing machines). Fixed drip rate: Approx. 0.4 cm³ per 100 work cycles, one filling = 3000 work cycles. Oil consumption in continuous operation (at 6 bar): 0.15 cm³ / Nm³ (varies depending on ambient temperature and oil used).

Articolo

Denominazione	Filetto	A (mm)	B	DN
K- 07 25 09 11	G 1/4	33,0	60,0 mm	8
K- 07 25 09 12	G 3/8	33,0	60,0 mm	8