

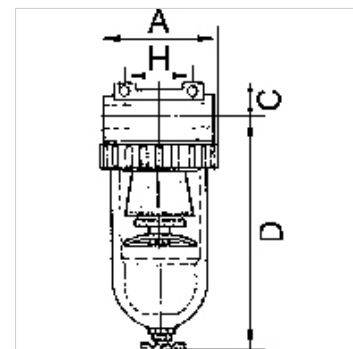
# K-FI SPEZI PC-BEHÄLTER H STANDARD

Special filters with polycarbonate bowl, with semi-automatic drain valve to G 1/2 and manual drain valve from G 3/4

**HANSA FLEX**

## Caratteristiche

|  |   |
|--|---|
| <b>Pressione d'ingresso</b>                      | Max. 16 bar (polycarbonate bowl / bowl guard), Max. 25 bar (metal bowl) |
| <b>Temperatura del fluido</b>                    | max. 50 °C  |
| <b>Temperatura ambiente</b>                      | Max. 50 °C  |
| <b>Rendimento</b>                                | 99.999 %  |
| <b>Ampiezza dei pori dell'elemento filtrante</b> | 0.01 µm   |
| <b>Alloggiamento</b>                             | Die-cast zinc, painted silver   |
| <b>Misurazione del valore della portata</b>      | At P2 = 6 bar and pressure drop $\Delta p = 1$ bar                      |



## Nota

Altri dati su richiesta.

## Descrizione

For all applications with particularly strict compressed air purity requirements. The separating efficiency of these filters permits very fine oil vapour particles and micro-fine suspended particles to be filtered. A standard filter should always be connected upstream to trap coarse impurities and protect the micro-filter inserts.

## Articolo

| Denominazione  | Filetto | Portata (L/min) | A (mm) | C (mm) | D (mm) | H (mm) | DN |
|----------------|---------|-----------------|--------|--------|--------|--------|----|
| K- 07 25 10 76 | G 3/8   | 380             | 48,0   | 14,0   | 131,6  | 38,0   | 6  |
| K- 07 25 10 83 | G 3/4   | 7000            | 133,0  | 36,0   | 206,0  | 134,0  | 20 |
| K- 07 25 10 86 | G 1     | 7000            | 133,0  | 36,0   | 206,0  | 120,0  | 25 |

## Parti di ricambio

|                            |   |
|----------------------------|---|
| K-HALTERBAUSATZ STANDARD   | Holder  |
| K-FILTERELEMENT STANDARD   | Filter element  |
| K-SCHUTZKORB G             | Protective cage   |
| K-XV AGM MS NI             | Double nipples, parallel male thread, nickel-plated brass |
| K-LOESBARE DOPPELNIPPEL MS | Double nipples  |