

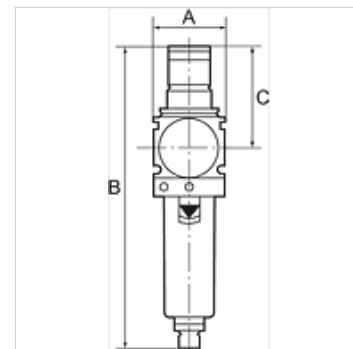
# K-FI REGL PC-BEHÄEL MANO VARIOBLOC

Filter regulators with polycarbonate bowl and pressure gauge

**HANSA FLEX**

## Caratteristiche

|  |   |
|--|---|
| <b>Pressione d'ingresso</b>                      | Max. 16 bar (polycarbonate bowl), Max. 20 bar (metal bowl)      |
| <b>Temperatura del fluido</b>                    | max. 50 °C  |
| <b>Temperatura ambiente</b>                      | Max. 50 °C (polycarbonate bowl), Max. 80 °C (metal bowl)        |
| <b>Ampiezza dei pori dell'elemento filtrante</b> | 40 µm   |
| <b>Materiale di tenuta</b>                       | NBR   |
| <b>Calotta elastica</b>                          | POM   |
| <b>Alloggiamento</b>                             | Die-cast zinc   |
| <b>Membrana</b>                                  | NBR   |
| <b>Drain valve</b>                               | Manual  |
| <b>Misurazione del valore della portata</b>      | At P1 = 10 bar, P2 = 6 bar and pressure drop $\Delta p = 1$ bar |



## Nota

Altri dati su richiesta.

## Descrizione

Reversible diaphragm pressure regulators, independent of inlet pressure, with self-relieving design, combined with a centrifugal separator. The pressure setting can be locked by pushing the knob down. Approved series in modern industrial design, with the following key benefits: Simple handling, Convenient modular assembly thanks to innovative fasteners, Excellent flow values.

## Avvertenza per l'ordinazione

Filter regulators are also available with bowl guard or metal bowl. Filter regulators are also available in lockable version. Please ask for more information.

## Informazioni supplementari

Filter regulators are also available with bowl guard or metal bowl. Filter regulators are also available in lockable version. Please ask for more information.

## Articolo

| Denominazione  | Filetto | Intervallo di regolazione | Portata (L/min) | A (mm) | B        | C (mm) |
|----------------|---------|---------------------------|-----------------|--------|----------|--------|
| K- 07 25 06 85 | G 1/4   | 0.5 - 10 bar              | 2000            | 48,0   | 203,0 mm | 68,0   |
| K- 07 25 06 87 | G 3/8   | 0.5 - 10 bar              | 3000            | 48,0   | 203,0 mm | 68,0   |
| K- 07 25 06 89 | G 1/2   | 0.5 - 10 bar              | 5500            | 70,0   | 273,0 mm | 98,0   |
| K- 07 25 06 91 | G 3/4   | 0.5 - 10 bar              | 6500            | 70,0   | 273,0 mm | 98,0   |
| K- 07 25 06 93 | G 1     | 0.5 - 10 bar              | 6500            | 124,0  | 273,0 mm | 98,0   |

## Parti di ricambio

|                                  |  |
|----------------------------------|--|
| K-VERSCHLEI-SATZ VARIOBLOC       | Set of wearing parts                           |
| K-ERSATZBEHÄELTER VARIOBLOC POLY | Spare tank Polycarbonat                        |
| K-FILTERELEMENT VARIOBLOC        | Filter element                                 |
| K-ABLASSVENTIL AUTO              | Fully-automatic drain valve with Adapter G 1/8 |