

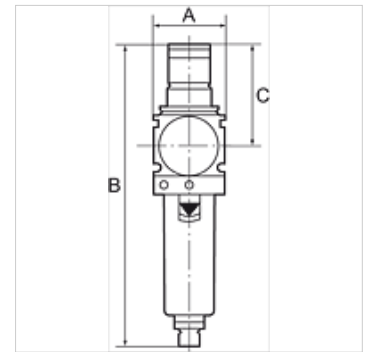
# K-FI REGL METALLBEHAE S MANO VARIOB

Filter regulators with metal bowl, incl. sight glass and pressure gauge

**HANSA FLEX**

## Caratteristiche

<b>Pressione d'ingresso</b>	Max. 16 bar (polycarbonate bowl), Max. 20 bar (metal bowl)
<b>Temperatura del fluido</b>	max. 50 °C
<b>Temperatura ambiente</b>	Max. 50 °C (polycarbonate bowl), Max. 80 °C (metal bowl)
<b>Ampiezza dei pori dell'elemento filtrante</b>	40 µm
<b>Materiale di tenuta</b>	NBR
<b>Calotta elastica</b>	POM
<b>Alloggiamento</b>	Die-cast zinc
<b>Membrana</b>	NBR
<b>Drain valve</b>	Manual
<b>Misurazione del valore della portata</b>	At P1 = 10 bar, P2 = 6 bar and pressure drop $\Delta p = 1$ bar



## Nota

Altri dati su richiesta.

## Descrizione

Reversible diaphragm pressure regulators, independent of inlet pressure, with self-relieving design, combined with a centrifugal separator. The pressure setting can be locked by pushing the knob down. Approved series in modern industrial design, with the following key benefits: Simple handling, Convenient modular assembly thanks to innovative fasteners, Excellent flow values.

## Avvertenza per l'ordinazione

Filter regulators are also available with bowl guard or metal bowl. Filter regulators are also available in lockable version. Please ask for more information.

## Informazioni supplementari

Filter regulators are also available with bowl guard or metal bowl. Filter regulators are also available in lockable version. Please ask for more information.

## Articolo

Denominazione	Filetto	Intervallo di regolazione	Portata (L/min)	A (mm)	B	C (mm)
<b>K- 07 25 06 86</b>	G 1/4	0.5 - 10 bar	2000	48,0	203,0 mm	68,0
<b>K- 07 25 06 88</b>	G 3/8	0.5 - 10 bar	3000	48,0	203,0 mm	68,0
<b>K- 07 25 06 90</b>	G 1/2	0.5 - 10 bar	5500	70,0	273,0 mm	98,0
<b>K- 07 25 06 92</b>	G 3/4	0.5 - 10 bar	6500	70,0	273,0 mm	98,0
<b>K- 07 25 06 94</b>	G 1	0.5 - 10 bar	6500	124,0	273,0 mm	98,0

## Parti di ricambio

<b>K-VERSCHLEI-SATZ VARIOBLOC</b>	Set of wearing parts
<b>K-ERSATZBEHAELTER VARIOBLOC POLY</b>	Spare tank Polycarbonat
<b>K-FILTERELEMENT VARIOBLOC</b>	Filter element
<b>K-ABLASSVENTIL AUTO</b>	Fully-automatic drain valve with Adapter G 1/8