

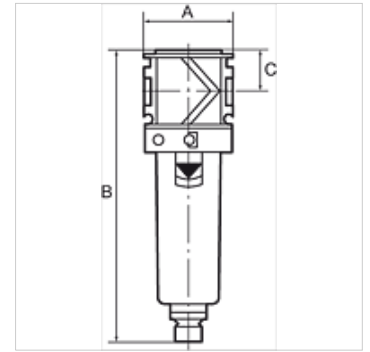
K-FI MIKRO PC-BEHAEALTER VARIOBLOC

Micro-filters with polycarbonate bowl

HANSA FLEX

Caratteristiche

Pressione d'ingresso	Max. 16 bar (polycarbonate bowl), Max. 20 bar (metal bowl)
Temperatura del fluido	max. 50 °C
Temperatura ambiente	Max. 50 °C (polycarbonate bowl), Max. 80 °C (metal bowl)
Finezza del filtro	0,01 µm
Qualità dell'aria ISO 85731	Class 1 dirt, class 1 oil
Rendimento	99.999 %
Misurazione del valore della portata	At P1 = 7 bar and pressure drop $\Delta p = 0,1$ bar



Nota

Altri dati su richiesta.

Descrizione

Borosilicate filter for all applications where compliance with strict compressed air purity requirements is vital. As the second stage downstream of the standard filter, the micro-filter removes 99.999 % of even the finest remaining particles from water, oil and dirt with practically zero residues (filter rating: 0.01 µm).

Avvertenza per l'ordinazione

Micro-filters are also available with bowl guard or metal bowl.

Articolo

Denominazione	Filetto	Portata (L/min)	A (mm)	B	C (mm)
K- 07 25 10 89	G 1/4	370	48,0	155,0 mm	22,0
K- 07 25 10 91	G 3/8	420	48,0	155,0 mm	22,0
K- 07 25 10 93	G 1/2	1000	70,0	202,0 mm	26,0
K- 07 25 10 95	G 3/4	1100	70,0	202,0 mm	26,0
K- 07 25 10 97	G 1	1100	124,0	202,0 mm	26,0

Parti di ricambio

K-ERSATZBEHAELTER VARIOBLOC POLY	Spare tank Polycarbonat
K-FILTERELEMENT VARIOBLOC	Filter element
K-ABLASSVENTIL AUTO	Fully-automatic drain valve with Adapter G 1/8