

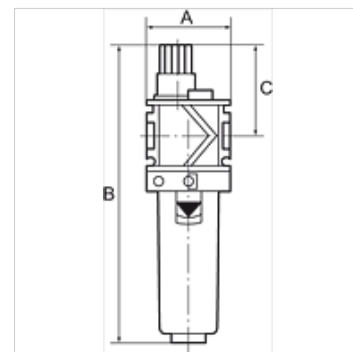
K-NEBELOELER METALLBEHAE S T VARIOB

Oil-mist lubricators with metal bowl, incl. sight glass and metal sight dome

HANSA FLEX

Caratteristiche

Pressione d'ingresso	Max. 16 bar (polycarbonate bowl), Max. 20 bar (metal bowl)
Temperatura del fluido	max. 50 °C
Temperatura ambiente	Max. 50 °C (polycarbonate bowl), Max. 80 °C (metal bowl)
Materiale di tenuta	NBR
Alloggiamento	Die-cast zinc
Contagocce	PA
Tipo di olio	CL 32 acc. to DIN 51517 - ISO VG 32
Misurazione del valore della portata	At P1 = 6 bar and pressure drop $\Delta p = 1$ bar



Nota

Altri dati su richiesta.

Descrizione

Proportional lubricators, oil can be filled under pressure. Approved series in modern industrial design, with the following key benefits: Simple handling, Convenient modular assembly thanks to innovative fasteners, Excellent flow values.

Avvertenza per l'ordinazione

Oil-mist lubricators are also available with bowl guard or metal bowl.

Articolo

Denominazione	Filetto	Portata (L/min)	A (mm)	B	C (mm)
K- 07 25 09 14	G 1/4	3400	48,0	180,0 mm	60,0
K- 07 25 09 16	G 3/8	4400	48,0	180,0 mm	60,0
K- 07 25 09 18	G 1/2	4600	70,0	224,0 mm	65,0
K- 07 25 09 20	G 3/4	7500	70,0	224,0 mm	65,0
K- 07 25 09 22	G 1	7500	124,0	224,0 mm	65,0

Parti di ricambio

K-ERSATZBEHAELTER VARIOBLOC POLY	Spare tank Polycarbonat
K-TROPFAUFSATZ VARIOBLOC	Drip attachment
K-TROPFAUFSATZ METALL	Drip attachment metal