

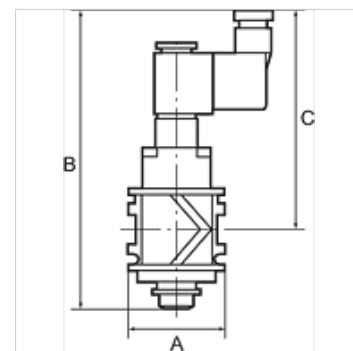
K-SCHALTVENTILE 3/2 VAROBLOC

On-off valves (3/2-way valves)

HANSA FLEX

Caratteristiche

| | |
|--------------------------------------|--|
| Grado di protezione | IP 65 acc. to DIN 40050 |
| Pressione di lavoro | 3 to 10 bar |
| Misurazione del valore della portata | At P1 = 6 bar and pressure drop $\Delta p = 1$ bar |



Nota

Altri dati su richiesta.

Descrizione

For pressurising and relieving pneumatic systems. Ideal as the main "on" valve for service units. The pressure in the line is exhausted when the valve is switched off.

Articolo

| Denominazione | Filetto | Portata (L/min) | A (mm) | Attacco | B | C (mm) | Tensione |
|----------------|---------|-----------------|--------|---|----------|--------|----------|
| K- 07 25 11 94 | G 1/4 | 2200 | 48,0 | Device plug PG 9, type B, EN 175301-803 | 147,0 mm | 108,0 | 24 V DC |
| K- 07 25 11 95 | G 3/8 | 2600 | 48,0 | Device plug PG 9, type B, EN 175301-803 | 147,0 mm | 108,0 | 24 V DC |
| K- 07 25 11 96 | G 1/2 | 3300 | 70,0 | Device plug PG 9, type B, EN 175301-803 | 157,0 mm | 113,0 | 24 V DC |
| K- 07 25 11 97 | G 3/4 | 3800 | 70,0 | Device plug PG 9, type B, EN 175301-803 | 157,0 mm | 113,0 | 24 V DC |
| K- 07 25 11 98 | G 1 | 3800 | 124,0 | Device plug PG 9, type B, EN 175301-803 | 157,0 mm | 113,0 | 24 V DC |

Parti di ricambio

| | |
|-------------------------|-----------------|
| K-MAGNETSPULE VARIOBLOC | Solenoid |
| K-GERAETESTECKER | Coupling socket |