

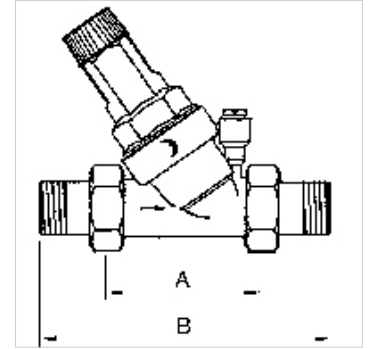
K-DRG SAXONIA M MANO

Pressure regulators

HANSA FLEX

Caratteristiche

Pressione d'ingresso	Max. 16 bar
Mezzi	Drinking water
Temperatura d'esercizio	Max. 30 °C
Materiale di tenuta	NBR
Calotta elastica	Plastic
Alloggiamento	Brass
Tazza filtro	Plastic, with control dial for back pressure
Altri dati	DVGW Zertifikat



Nota

Altri dati su richiesta.

Descrizione

Diaphragm pressure regulators with pressure-reduced single-seated valve and built-in strainer. These pressure regulators, which are independent of inlet pressure, protect domestic water installations against excessive supply pressure. They can also be used for commercial or industrial purposes providing their specification is adequate.

Articolo

Denominazione	Filetto	DN	Intervallo di regolazione	Portata valore kvs (m ³ /h)	A (mm)	B
K- 07 25 04 72	R 3/4	20	1.5 - 6 bar	3,4	90,0	158,0 mm
K- 07 25 04 73	R 1	25	1.5 - 6 bar	5,3	100,0	184,0 mm
K- 07 25 04 74	R 1 1/4	32	1.5 - 6 bar	8,6	130,0	228,0 mm

Parti di ricambio

K-VENTILAUSTAUSCHSATZ	Valve replacement kit
K-ERSATZSIEBE	Replacement strainer
K-RMM U STAHL	Standard pressure gauges (sheet steel housing / connection radial on bottom)