

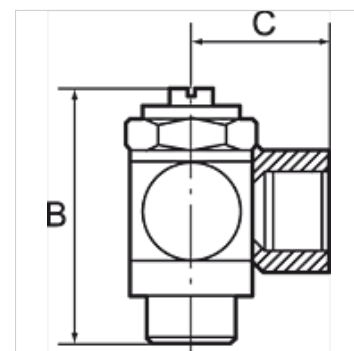
# K-DRV ABLD SCHNVERSCHR C SCHLITZ

Unidirectional flow control valves, outgoing air restriction (»C«), quick-lock screw fitting

**HANSA FLEX**

## Caratteristiche

Pressione d'esercizio	max. 10 bar
Campo della temperatura:	0 °C to +70 °C
Vite a testa cava, braccio orientabile, vite di regolazione	Nickel-plated brass
Parti interne	Brass with a bare metal surface
Guarnizione a labbri o-ring	NBR
Guarnizioni (imperdibili)	Polyamide (glass fibre-reinforced)



## Nota

Altri dati su richiesta.

## Descrizione

For fine regulation of a cylinder piston speed and precise control of flow rates. Designed as a banjo-type valve with a hollow bolt and ring piece. Can be screwed directly onto the valve or cylinder. Compact type of construction, also ideal where space is restricted.

## Articolo

Denominazione	C (mm)	per flessibile	Filetto	SW	B (mm)
K- 07 15 05 37	18,0	4 mm / 2,5 mm	M 5	8 mm	24,5
K- 07 15 05 38	19,0	5 mm / 3 mm	M 5	8 mm	24,5
K- 07 15 05 39	19,0	6 mm / 4 mm	M 5	8 mm	24,5
K- 07 15 05 46	23,0	5 mm / 3 mm	G 1/8	14 mm	32,0
K- 07 15 05 47	25,0	6 mm / 4 mm	G 1/8	14 mm	32,0
K- 07 15 05 48	25,0	8 mm / 6 mm	G 1/8	14 mm	32,0
K- 07 15 05 43	26,5	6 mm / 4 mm	G 1/4	17 mm	40,0
K- 07 15 05 44	27,5	8 mm / 6 mm	G 1/4	17 mm	40,0
K- 07 15 05 42	28,5	10 mm / 8 mm	G 1/4	17 mm	40,0
K- 07 15 05 49	30,5	10 mm / 8 mm	G 3/8	20 mm	50,0