

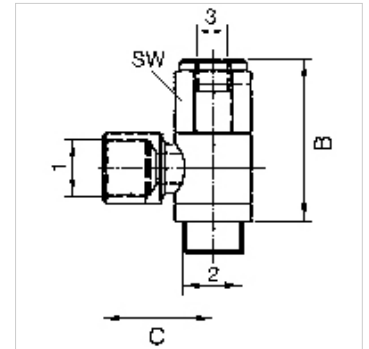
# K-HS RD

Unidirectional banjo valves, pneumatic release, port 2 with female thread

**HANSA FLEX**

## Caratteristiche

<b>Pressione di lavoro</b>	0.3 - 10 bar
<b>Pressione di comando</b>	0.5 - 2.5 bar, depending on operating pressure
<b>Temperatura del fluido</b>	max. 60 °C
<b>Inserzione</b>	Any. The ring piece must be positioned before the valve is tightened
<b>Materiale</b>	Ottone nichelato
<b>Materiale di tenuta</b>	Perbunan



## Nota

Altri dati su richiesta.

## Descrizione

For stopping and positioning the cylinder movement: If a control signal is present at port 3 (see drawing), air can flow to and from the cylinder. If no control signal is present, the cylinder exhaust air is shut off by the unidirectional valve. The cylinder is stopped. Releasable unidirectional valves are screwed directly onto the cylinder instead of the normal pipe connections.

## Articolo

Denominazione	Port 1	Port 2	Attacco 3	B (mm)	C (mm)
K- 07 15 07 04	G 1/8	G 1/8	M 5	38,0	21,5
K- 07 15 07 03	G 1/4	G 1/4	G 1/8	43,0	25,4
K- 07 15 07 05	G 3/8	G 3/8	G 1/8	46,0	31,6
K- 07 15 07 02	G 1/2	G 1/2	G 1/8	52,0	32,0