

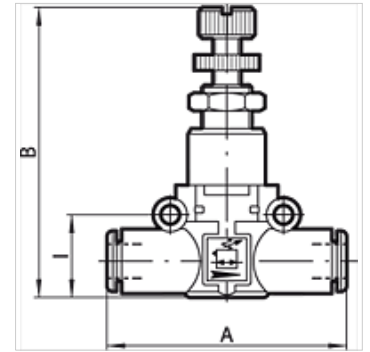
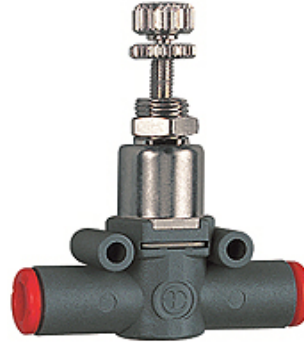
# K-DRG SCHL SCHL

Pressure regulators, pipe - pipe

**HANSA FLEX**

## Caratteristiche

|                                 |  |
|---------------------------------|--|
| <b>Pressione d'esercizio</b>    | 2 - 10 bar   |
| <b>Portata 6,3bar</b>           | 400 NI/min (Ø 6 and G 1/8), 600 NI/min (Ø 8 and G 1/4)   |
| <b>Campo della temperatura:</b> | -20 °C to +60 °C   |
| <b>Corpo</b>                    | Technopolymer  |
| <b>Parti interne</b>            | nickel-plated brass, brass, technopolymer, stainless steel   |
| <b>Materiale di tenuta</b>      | NBR  |
| <b>Montaggio</b>                | Wall mounting (housing with drilled holes)<br>Bracket mounting (mounting bracket available)<br>Panel mounting (with bracket or lock nut) |
| <b>Simbolo</b>                  | on the housing   |



## Nota

Altri dati su richiesta.

## Descrizione

A carefully selected assortment of products for installation in pneumatic circuits. These small, highly efficient components allow all pneumatic functions to be implemented anywhere in the circuit. The series has an ultramodular design. All components can be installed in parallel, in series, in a mixed parallel / serial configuration. Available as Pipe / pipe connection with two plug connectors Thread / pipe connection, with one plug connector and one nickel-plated brass thread.

## Articolo

| Denominazione  | per Ø del tubo flessibile (mm) | Intervallo di regolazione | A (mm) | B (mm) | I (mm) |
|----------------|--------------------------------|---------------------------|--------|--------|--------|
| K- 07 25 03 10 | 6                              | 1 - 8 bar                 | 49,4   | 52,0   | 14,6   |
| K- 07 25 03 11 | 8                              | 1 - 8 bar                 | 57,3   | 58,0   | 18,7   |