

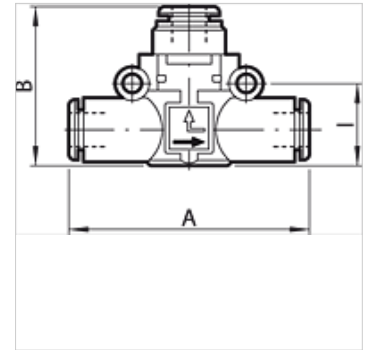
# K-SNV ENTLUE V SCHL SCHL

Quick-exhaust valves, conveyed exhaust, pipe - pipe

**HANSA FLEX**

## Caratteristiche

<b>Pressione d'esercizio</b>	1 - 10 bar
<b>Portata 6,3bar</b>	50 NI/min (Ø 4), 270 NI/min (Ø 6), 400 NI/min (Ø 8)
<b>Port. Sfiato 6,3bar</b>	100 NI/min (Ø 4), 700 NI/min (Ø 6), 1000 NI/min (Ø 8)
<b>Campo della temperatura:</b>	-20 °C to +60 °C
<b>Corpo</b>	Technopolymer
<b>Parti interne</b>	nickel-plated brass, brass, technopolymer, stainless steel
<b>Materiale di tenuta</b>	NBR
<b>Montaggio</b>	Wall mounting (housing with drilled holes) Bracket mounting (mounting bracket available) Panel mounting (with bracket or lock nut)
<b>Simbolo</b>	on the housing



## Nota

Altri dati su richiesta.

## Descrizione

A carefully selected assortment of products for installation in pneumatic circuits. These small, highly efficient components allow all pneumatic functions to be implemented anywhere in the circuit. The series has an ultramodular design. All components can be installed in parallel, in series, in a mixed parallel / serial configuration. Available as Pipe / pipe connection with two plug connectors Thread / pipe connection, with one plug connector and one nickel-plated brass thread.

## Articolo

Denominazione	per Ø del tubo flessibile (mm)	A (mm)	B (mm)	l (mm)
K- 07 15 25 27	4	41,8	25,8	12,8
K- 07 15 20 30	6	49,0	30,2	14,6
K- 07 15 20 31	8	57,2	35,9	18,7