

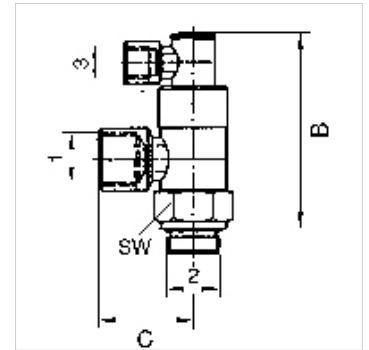
K-STOPPVENTILE STECK

Stop valves, ports 2 and 3 with plug connection

HANSA FLEX

Caratteristiche

Pressione di lavoro	Max. 10 bar
Pressione di comando	1 - 5 bar, depending on operating pressure
Temperatura del fluido	max. 70 °C
Inserzione	Any. Ring pieces can still be rotated 360° after the valve has been tightened
Materiale di tenuta	Perbunan



Nota

Altri dati su richiesta.

Descrizione

For high-speed positioning and stop functions as well as emergency switching (e.g. emergency stop). If a control signal is present at port 3, air can flow to and from the cylinder. If no control signal is present, the air flow to and from the cylinder is shut off, causing the cylinder to stop in the required position. Stop valves are screwed directly onto the cylinder instead of the normal pipe connections.

Articolo

Denominazione	Port 1	Port 2	Attacco 3	Materiale	B (mm)	C (mm)
K- 07 15 20 50	G 1/8	6 mm	4 mm	Nickel-plated brass	52,0	25,0
K- 07 15 20 49	G 1/4	6 mm	4 mm	Nickel-plated brass	58,0	28,0
K- 07 15 20 51	G 3/8	8 mm	4 mm	Nickel-plated brass	63,0	32,0
K- 07 15 20 48	G 1/2	12 mm	4 mm	Nickel-plated brass	72,0	41,0