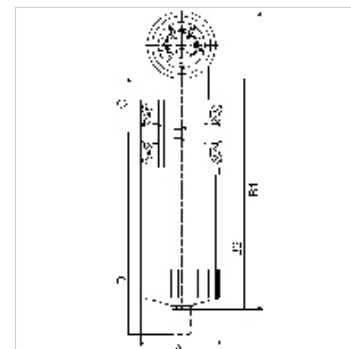


K-FI AK KOH O DIFFERENZ MANO

Activated carbon filters without differential pressure gauge

Caratteristiche

Pressione d'ingresso	Min. 4 bar, Max. 16 bar
Intervallo di visualizzazione manometro pressione differenziale	0 - 2 bar
Alloggiamento, serbatoio filtro	Aluminium
Temperatura ambiente	+5 °C to +60 °C
Inserto filtrante	Activated carbon
Tenore di olio residuo	0.005 mg/m ³
Misurazione del valore della portata	At P1 = 6 bar and pressure drop $\Delta p = 0.5\%$



Nota

Altri dati su richiesta.

Descrizione

Suitable for all applications where the standard centrifugal separators do not afford the desired efficiency. The pre-filters and micro-filters are equipped with an automatic drain valve. All devices can be supplied with or without a differential pressure gauge. The differential pressure gauge indicates the degree of contamination of the filter element as a function of the pressure drop.

Articolo

Denominazione	Filetto	Portata (L/min)	A (mm)	B2 (mm)	C (mm)	D (mm)
K- 07 25 13 26	G 1/4	500	82,5	248,0	57,0	263,0
K- 07 25 13 27	G 3/8	500	82,5	248,0	57,0	263,0
K- 07 25 13 28	G 1/2	500	82,5	248,0	57,0	263,0
K- 07 25 13 29	G 3/4	1000	82,5	318,0	57,0	403,0
K- 07 25 13 30	G 1	1500	118,0	333,0	72,0	368,0
K- 07 25 13 31	G 1 1/4	2650	118,0	433,0	72,0	568,0
K- 07 25 13 32	G 1 1/2	4150	118,0	533,0	72,0	768,0
K- 07 25 13 33	G 2	6650	118,0	723,0	72,0	1148,0

Parti di ricambio

K-FILTERELEMENT SONDER	Filter element
K-VERBINDUNGSELEMENTE SOND	Connecting sets
K-HALTERBAUSATZ	Holder
K-AUTOMAT ABLASSVENTIL	Automatic drain valve