

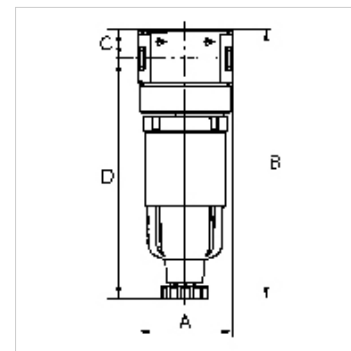
K-FI AK KOH METALLBEHAE MULTIFIX MI

Activated carbon filters with metal bowl

HANSA FLEX

Caratteristiche

Pressione d'ingresso	Max. 16 bar
Temperatura del fluido	max. 60 °C
Temperatura ambiente	Max. 60 °C
Materiale di tenuta	NBR
Insero filtrante	Activated carbon-POM
Alloggiamento	Die-cast zinc
Drain valve	Semi-automatic
Tenore di olio residuo	0.005 mg/m ³
Misurazione del valore della portata	FA at P1 = 6 bar and pressure drop $\Delta p = 0.2$ bar



Nota

If several devices in the »multifix-mini« Series are assembled together, the maximum working pressure is 12 bar.
Altri dati su richiesta.

Descrizione

Micro-filters for compliance with strict compressed air purity requirements. Suitable for all applications where standard filters do not afford the desired efficiency.

Articolo

Denominazione	Filetto	Portata (L/min)	A (mm)	B	C (mm)	D (mm)	DN	Dimensioni strutturali
K- 07 25 10 46	G 1/8	310	40,0	97,3 mm	12,3	85,0	5	0

Parti di ricambio

K-AUTOMAT ABLASSVENTIL	Automatic drain valve
K-KOPPELPAKET MEHR	Coupling packet
K-ERSATZBEHAELTER MULTI MINI	Spare tank »multifix-mini« & »standard-mini«