

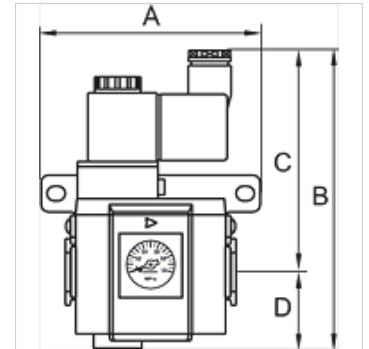
# K-3/2 ANFAV 230 V AC, 50 HZ HW G

Start-up valves, power supply 230 V AC, 50 Hz, with »HW« mounting bracket and silencer

**HANSA FLEX**

## Caratteristiche

|                                      |  |
|--------------------------------------|--|
| Pressione d'ingresso                 | 2.5 - 9 bar  |
| Temperatura del fluido               | max. 70 °C   |
| Temperatura ambiente                 | Max. 70 °C   |
| Collegamento elettrico               | Coupler plug PG 9 - form B                                     |
| Materiale di tenuta                  | NBR  |
| Alloggiamento                        | Die-cast aluminium   |
| Misurazione del valore della portata | At P1 = 8 bar, P2 = 6 bar and pressure drop $\Delta p = 1$ bar |
| Altri dati                           | User manual on request   |



## Articolo

| Denominazione  | Filetto | Portata (L/min) | A (mm) | B        | C (mm) | D (mm) | Dimensioni strutturali |
|----------------|---------|-----------------|--------|----------|--------|--------|------------------------|
| K- 07 25 12 04 | G 1/4   | 1600            | 65,0   | 131,0 mm | 97,0   | 34,0   | 300                    |
| K- 07 25 12 06 | G 3/8   | 2500            | 65,0   | 131,0 mm | 97,0   | 34,0   | 300                    |
| K- 07 25 12 08 | G 1/2   | 2500            | 65,0   | 131,0 mm | 97,0   | 34,0   | 300                    |
| K- 07 25 12 10 | G 3/8   | 4500            | 78,0   | 142,5 mm | 102,0  | 40,5   | 400                    |
| K- 07 25 12 12 | G 1/2   | 4500            | 78,0   | 142,5 mm | 102,0  | 40,5   | 400                    |

## Accessori

|                       |                 |
|-----------------------|-----------------|
| K-VERBINDUNGSELEMENTE | Connecting sets |
| K-WANDHALTER          | Wall bracket    |
| K-HALTERBAUSATZ       | Holder          |