

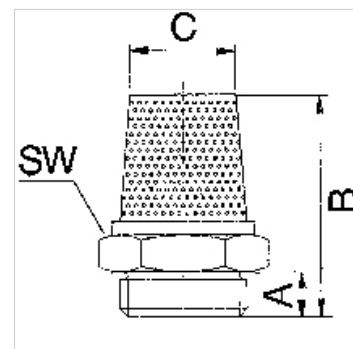
K-SCHALLDAE SINTERBR AG 569

Silencers, sintered bronze, flat type with male thread, 569 Series

HANSA FLEX

Caratteristiche

Pressione d'esercizio	0 - 8 bar
Temperatura d'esercizio	-10 °C to +250 °C
Livello sonoro 6 bar	71 ~ 108 dB(A)



Nota

Altri dati su richiesta.

Descrizione

For reducing the exhaust noise generated by pneumatic equipment.

Articolo

Denominazione	Filetto	A (mm)	B (mm)	C (mm)	SW
K- 07 40 34 93	M 5	4,0	8,0	7,8	8 mm
K- 07 40 34 94	G 1/8	6,0	13,0	12,8	13 mm
K- 07 40 34 95	G 1/4	7,5	16,5	14,8	15 mm
K- 07 40 34 96	G 3/8	7,5	16,5	18,8	19 mm
K- 07 40 34 97	G 1/2	9,0	18,5	23,0	24 mm
K- 07 40 46 97	G 3/4	11,0	19,5	26,0	27 mm
K- 07 40 46 98	G 1	14,0	24,0	35,0	36 mm