

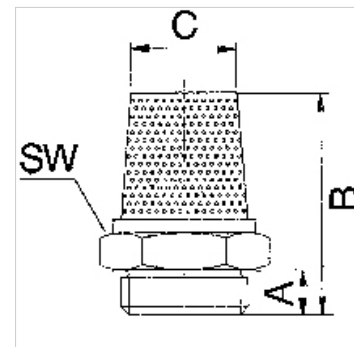
K-SCHALLDAE SINTERBR GE MS1

Silencers, sintered bronze, with brass hexagon nut and brass thread

HANSA FLEX

Caratteristiche

| | |
|-------------------------|-------------------|
| Pressione d'esercizio | 0 - 8 bar |
| Temperatura d'esercizio | -10 °C to +250 °C |
| Livello sonoro 6 bar | 71 ~ 108 dB(A) |



Nota

Altri dati su richiesta.

Descrizione

For reducing the exhaust noise generated by pneumatic equipment.

Articolo

| Denominazione | Filetto | A (mm) | B (mm) | C (mm) | SW |
|----------------|---------|-----------|-----------|-----------|-------|
| K- 07 40 34 70 | M 5 | 5,0 | 18,5 | 4,0 | 9 mm |
| K- 07 40 34 71 | G 1/8 | 4,5 | 21,0 | 8,5 | 12 mm |
| K- 07 40 34 72 | G 1/4 | 6,0 | 28,0 | 11,0 | 15 mm |
| K- 07 40 34 73 | G 3/8 | 7,0 | 35,5 | 14,0 | 19 mm |
| K- 07 40 34 74 | G 1/2 | 8,0 | 41,5 | 16,0 | 23 mm |
| K- 07 40 34 75 | G 3/4 | 9,0 | 53,0 | 21,0 | 30 mm |
| K- 07 40 34 76 | G 1 | 12,0 | 67,0 | 27,0 | 36 mm |