

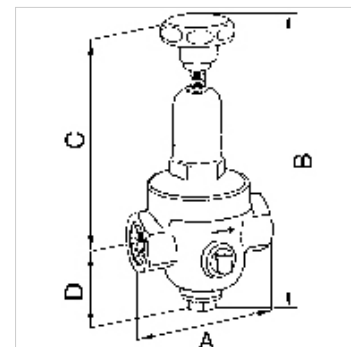
K-DRG DRV 200 STANDARD

DRV 200 pressure regulators, standard type

HANSA FLEX

Caratteristiche

Pressione d'ingresso	Max. 25 bar (Series 200 and 300 Series), Max. 40 bar (400 Series)
Campo della temperatura:	Max. 75 °C
Rapporto di riduzione	Max. 10:1 (200 Series), Max. 20:1 (300 Series), Max. 6:1 (400 Series)
Materiale di tenuta	NBR
Calotta elastica	Pressed brass up to DN 25, Grey cast iron from DN 32
Alloggiamento	Red brass 2.1096.01



Nota

Altri dati su richiesta.

Descrizione

Diaphragm pressure regulators with non-self-relieving design and non-pressure-reduced single-seated valve. Very precise adjustment. Good response characteristic because of only a few moving parts which hence minimal friction. Ideal for compressed air, nitrogen and other neutral, non-flammable gases, but only suitable for liquids with comparatively low flow rates.

Avvertenza per l'ordinazione

Altre esecuzioni su richiesta.

Informazioni supplementari

Altre configurazioni a richiesta

Articolo

Denominazione	Filetto	Intervallo di regolazione	Portata valore kvs (m ³ /h)	A (mm)	B	C (mm)	D (mm)
K-07 25 04 86	G 1/4	1.5 - 8 bar	0,5	70,0	167,0 mm	120,0	47,0
K-07 25 04 87	G 3/8	1.5 - 8 bar	0,6	70,0	168,0 mm	121,0	47,0
K-07 25 04 88	G 1/2	1.5 - 8 bar	1,2	85,0	188,5 mm	142,0	46,5
K-07 25 04 89	G 3/4	1.5 - 8 bar	1,3	85,0	189,5 mm	143,0	46,5
K-07 25 04 90	G 1	1.5 - 8 bar	1,6	95,0	242,0 mm	186,0	56,0
K-07 25 04 91	G 1 1/4	1.5 - 8 bar	4,2	104,0	323,0 mm	262,0	61,0
K-07 25 04 92	G 1 1/2	1.5 - 8 bar	4,5	108,0	323,0 mm	262,0	61,0
K-07 25 04 93	G 2	1.5 - 8 bar	7,2	146,5	376,0 mm	306,0	70,0

Parti di ricambio

K-VERSCHLEI-SATZ Set of wearing parts