

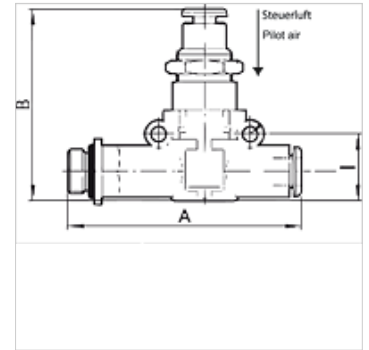
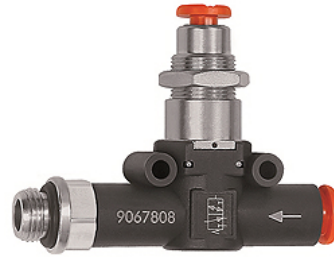
K-WV 3/2 SCHL GEW

3/2-way valve, pipe (input) - thread (output)

HANSA FLEX

Caratteristiche

| | |
|--------------------------|--|
| Pressione d'esercizio | max. 10 bar |
| Portata 6,3 bar, p=1 bar | 400 NI/min (Ø 6), 790 NI/min (Ø 8) |
| Attacco aria di comando | 4 mm |
| Campo della temperatura: | -20 °C to +60 °C |
| Funzione valvola | NC |
| Corpo | Technopolymer |
| Parti interne | nickel-plated brass, brass, technopolymer, stainless steel |
| Materiale di tenuta | NBR |
| Montaggio | Wall mounting (housing with drilled holes) Bracket mounting (mounting bracket available) Panel mounting (with bracket or lock nut) |
| Simbolo | on the housing |



Nota

Altri dati su richiesta.

Descrizione

A carefully selected assortment of products for installation in pneumatic circuits. These small, highly efficient components allow all pneumatic functions to be implemented anywhere in the circuit. The series has an ultramodular design. All components can be installed in parallel, in series, in a mixed parallel / serial configuration. Available as Pipe / pipe connection with two plug connectors Thread / pipe connection, with one plug connector and one nickel-plated brass thread.

Articolo

| Denominazione | Filetto | per Ø del tubo flessibile (mm) | A (mm) | B (mm) | l (mm) |
|----------------|---------|--------------------------------|--------|--------|--------|
| K- 07 15 25 50 | G 1/8 | 6 | 58,5 | 43,2 | 14,6 |
| K- 07 15 25 51 | G 1/8 | 8 | 66,2 | 49,7 | 18,7 |
| K- 07 15 25 48 | G 1/4 | 6 | 61,5 | 43,2 | 14,6 |
| K- 07 15 25 49 | G 1/4 | 8 | 70,6 | 49,7 | 18,7 |
| K- 07 15 25 52 | G 3/8 | 8 | 72,2 | 49,7 | 18,7 |