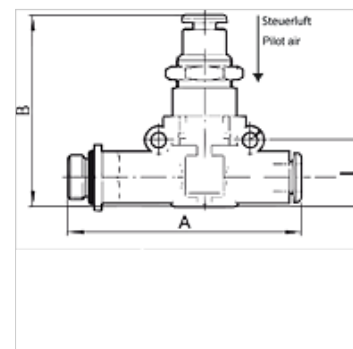
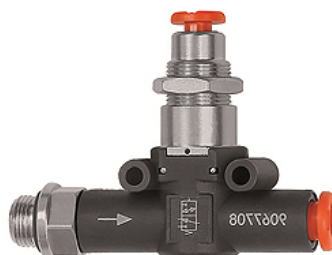


K-WV 3/2 GEW SCHL

3/2-way valve, thread (input) - pipe (output)

Caratteristiche

Pressione d'esercizio	max. 10 bar
Portata 6,3 bar, p=1 bar	400 NI/min (Ø 6), 790 NI/min (Ø 8)
Attacco aria di comando	4 mm
Campo della temperatura:	-20 °C to +60 °C
Funzione valvola	NC
Corpo	Technopolymer
Parti interne	nickel-plated brass, brass, technopolymer, stainless steel
Materiale di tenuta	NBR
Montaggio	Wall mounting (housing with drilled holes) Bracket mounting (mounting bracket available) Panel mounting (with bracket or lock nut)
Simbolo	on the housing



Nota

Altri dati su richiesta.

Descrizione

A carefully selected assortment of products for installation in pneumatic circuits. These small, highly efficient components allow all pneumatic functions to be implemented anywhere in the circuit. The series has an ultramodular design. All components can be installed in parallel, in series, in a mixed parallel / serial configuration. Available as Pipe / pipe connection with two plug connectors Thread / pipe connection, with one plug connector and one nickel-plated brass thread.

Articolo

Denominazione	Filetto	per Ø del tubo flessibile (mm)	A (mm)	B (mm)	l (mm)
K- 07 15 25 45	G 1/8	6	58,5	43,2	14,6
K- 07 15 25 46	G 1/8	8	66,2	49,7	18,7
K- 07 15 25 43	G 1/4	6	61,5	43,2	14,6
K- 07 15 25 44	G 1/4	8	70,6	49,7	18,7
K- 07 15 25 47	G 3/8	8	72,2	49,7	18,7