

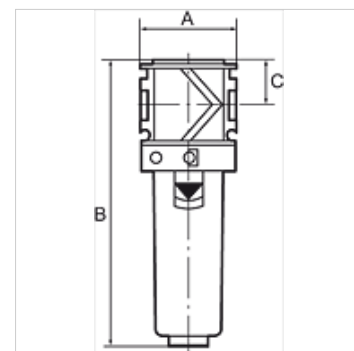
K-FI AK KOH METALLBEHAEL SI VARIOBL

Activated carbon filters with metal bowl incl. sight glass

HANSA FLEX

Caratteristiche

Pressione d'ingresso	Max. 16 bar (polycarbonate bowl), Max. 20 bar (metal bowl)
Temperatura del fluido	max. 50 °C
Temperatura ambiente	Max. 50 °C (polycarbonate bowl), Max. 80 °C (metal bowl)
Qualità dell'aria ISO 85731	Class 1 dirt, class 1 oil
Tenore di olio residuo	0,003 mg/m ³
Misurazione del valore della portata	At P1 = 7 bar and pressure drop $\Delta p = 0,1$ bar



Nota

Activated carbon filters are also supplied with protective cage or metal container.

Altri dati su richiesta.

Descrizione

The activated carbon filter absorbs oil vapour from the compressed air. The entering compressed air needs to be dry and free of contaminants (an upstream microfilter is strongly recommended).

Articolo

Denominazione	Filetto	Portata (L/min)	A (mm)	B	C (mm)
K- 07 25 23 07	G 1/4	800	48,0	142,0 mm	22,0
K- 07 25 23 08	G 3/8	1000	48,0	142,0 mm	22,0
K- 07 25 23 09	G 1/2	1200	70,0	193,0 mm	26,0
K- 07 25 23 10	G 3/4	1300	70,0	193,0 mm	26,0
K- 07 25 23 11	G 1	1300	124,0	193,0 mm	26,0