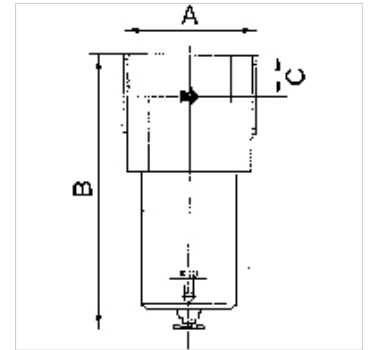


# K-FI MIKRO BIS 60 BAR

Micro-filters for high pressures up to 60 bar

## Caratteristiche

Pressione d'ingresso	Max. 60 bar
Temperatura d'esercizio	0 °C to +90 °C
Rendimento	99.9999 %
Ampiezza dei pori dell'elemento filtrante	0.01 µm
Materiale di tenuta	NBR
Serbatoio	Brass
Elemento filtrante	Borosilicate
Alloggiamento	Aluminium
Misurazione del valore della portata	At P2 = 6 bar and pressure drop $\Delta p = 0,5$ bar



## Nota

Altri dati su richiesta.

## Descrizione

Fine filter for all applications with particularly strict compressed air purity requirements. Micro-filters should always be used in conjunction with a standard filter connected upstream to trap coarse impurities and protect the micro-filter inserts.

## Articolo

Denominazione	Filetto	Portata (L/min)	A (mm)	B	C (mm)
K- 07 25 06 21	G 3/8	2000	73,0	187,0 mm	25,0
K- 07 25 06 22	G 1/2	2000	65,0	187,0 mm	25,0
K- 07 25 06 23	G 3/4	2300	92,0	196,0 mm	29,0
K- 07 25 06 24	G 1	2300	80,0	196,0 mm	29,0

## Accessori

K-HALTERBAUSATZ Holder

## Parti di ricambio

K-FILTERELEMENT STANDARD Filter element