

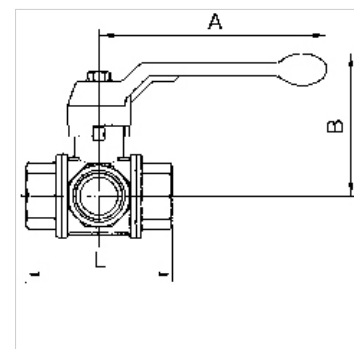
K-3 BKR T VA LEICHT

3-way ball valves, T-bore, lightweight type

HANSA FLEX

Caratteristiche

Filettatura descrizione	Rp thread acc. to ISO 7-1
Temperatura del fluido	-15 °C to max. +100 °C
Materiale di tenuta	PTFE
Molla	Stainless-steel
Alloggiamento e sfera	Nickel-plated brass
Leva manuale	Aluminium, painted black



Nota

Altri dati su richiesta.

Descrizione

Sealing on all sides with T-bore. In contrast to the 1084 series, the lever of this model can only be turned 90° rather than 180°. Only two valve positions are therefore possible instead of four.

Articolo

Denominazione	DN	Filetto	A (mm)	B (mm)	Foro sfera	L (mm)	pressione d'esercizio max. a 20°C (bar)
K- 07 30 19 68	15	Rp 1/2	130,0	85,0	13	80,0	40
K- 07 30 19 69	20	Rp 3/4	160,0	98,0	18	96,0	40
K- 07 30 19 70	25	Rp 1	160,0	102,0	23	113,0	25
K- 07 30 19 71	32	Rp 1 1/4	195,0	121,0	29	130,0	16
K- 07 30 19 72	40	Rp 1 1/2	195,0	125,0	35	147,0	16
K- 07 30 19 73	50	Rp 2	235,0	141,0	44	169,0	16