

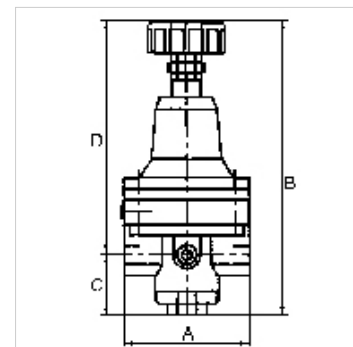
K-PRAEZI DRUCKREGL OHNE EIGENLUF

Precision pressure regulators without air consumption

HANSA FLEX

Caratteristiche

| | |
|------------------------|--|
| Pressione d'ingresso | Max. 16 bar |
| Temperatura del fluido | max. 80 °C |
| Temperatura ambiente | Max. 80 °C |
| Mezzi | Fine-filtered (5 µm), unlubricated compressed air, neutral gases |
| Attacco manometro | G 1/4 |
| Materiale di tenuta | NBR |
| Alloggiamento | Die-cast zinc |
| Cono valvola, membrana | FPM |



Nota

Altri dati su richiesta.

Descrizione

Diaphragm pressure regulators with self-relieving design for applications requiring an accurate working pressure.

Articolo

| Denominazione | Filetto | Intervallo di regolazione | Portata (L/min) | A (mm) | B | C (mm) | D (mm) |
|----------------|---------|---------------------------|-----------------|--------|----------|--------|--------|
| K- 07 25 09 39 | G 1/4 | 0 - 1 bar | 600 | 82,0 | 148,0 mm | 19,5 | 128,5 |
| K- 07 25 09 40 | G 1/4 | 0.1 - 3 bar | 760 | 82,0 | 148,0 mm | 19,5 | 128,5 |
| K- 07 25 09 41 | G 1/4 | 0.2 - 6 bar | 550 | 82,0 | 148,0 mm | 19,5 | 128,5 |
| K- 07 25 09 42 | G 1/4 | 0.5 - 10 bar | 400 | 82,0 | 148,0 mm | 19,5 | 128,5 |

Accessori

| | |
|--------------------------|--------|
| K-HALTERBAUSATZ STANDARD | Holder |
|--------------------------|--------|