

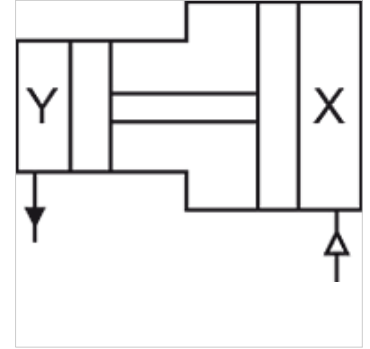
K-DVST OHNE REGLER

Pressure booster without regulator

HANSA FLEX

Caratteristiche

Pressione d'ingresso	2 - 10 bar
Pressione d'uscita	Max. 20 bar (regulated: max. 16 bar)
Campo della temperatura:	-10 °C to +50 °C (40 mm bore), -10 °C to +60 °C (63 mm bore)
Mezzi	Filtered, unlubricated or lubricated compressed air (if lubrication is used, it must be continuous)
Materiale di tenuta	NBR
Regolatore di pressione	With plastic body
Alloggiamento	Aluminium, anodised
Tubo	Anodised aluminium jacket
Montaggio	Any position, with 4 mounting holes
P2:P1	2:1



Nota

For information about calculating the filling times for different tank sizes, refer to the above-mentioned data sheet available on our website
Altri dati su richiesta.

Descrizione

Pressure multipliers (boosters) allow a separate compressed air store with up to double pressure to be installed for selected devices in a compressed air system without an external energy source, i.e. it is possible to work with a maximum pressure of 20 bar in a standard 10 bar system (maximum ratio 2:1). This is achieved using a double piston, which is operated by a combination of integrated check valves in such a way that the booster works automatically until the target pressure is reached in a compressed air tank and is then automatically switched off. A tank is always required to build up the pressure and store the compressed air!

Informazioni supplementari

Fixing bracket with nut

Articolo

Denominazione	Attacco	Ø pistone (mm)	H (mm)	L (mm)
K- 07 25 08 64	G 1/8	40,0	64,0	194,0
K- 07 25 08 66	G 3/8	63,0	98,0	290,0

Accessori

K-ZUBEH ERSATZ LUFT BOOSTER Accessories / spare parts for Air-air-multiplier (booster)