

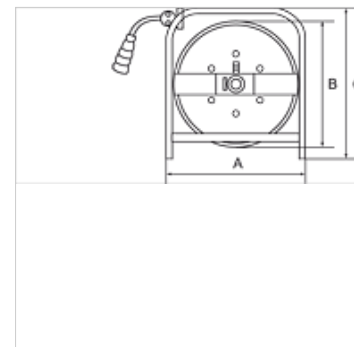
K-SCHL-AUFROLLER MOBIL

Hose reels for mobile applications

HANSA FLEX

Caratteristiche

Materiale del tubo flessibile	Polyurethane
Pressione d'esercizio	max. 10 bar
Temperatura d'esercizio	-10 °C to +40 °C
Ingresso	Hose stem 8 mm
Filettatura attacco	Coupling G 3/8



Nota

Altri dati su richiesta.

Descrizione

Specially designed for mobile applications. This 50 m long polyurethane hose is mounted in a portable four-wheel cart made from blue anodised steel. An automatic latching mechanism allows the hose to be engaged at any length. Enclosed spring. Precise locking device for continuous feeding or latching mechanism. Reel guide prevents excessive wear on the hose.

Articolo

Denominazione	Dimensione tubo flessibile	A (mm)	B (mm)	C (mm)	Lunghezza tubo flessibile (m)
K- 07 10 06 16	12 mm x 8 mm	452,0	400,0	460,0	50