

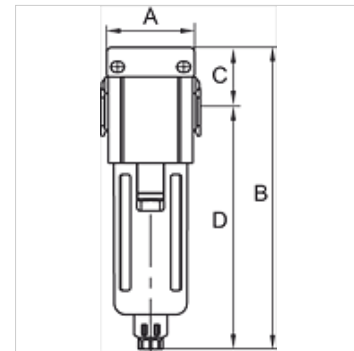
K-FI PC-BEHÄLTER H ABLV HW G

Filters with polycarbonate bowl, bowl guard and »HW« mounting bracket, semi-automatic drain valve

HANSA FLEX

Caratteristiche

| | |
|---|--|
| Pressione d'ingresso | Max. 10 bar |
| Temperatura del fluido | max. 70 °C |
| Temperatura ambiente | Max. 70 °C |
| Pressione di lavoro | 1.5 - 9 bar |
| Amplezza dei pori dell'elemento filtrante | 5 µm |
| Materiale di tenuta | NBR |
| Alloggiamento | Die-cast aluminium |
| Drain valve | Semi- or fully-automatic |
| Misurazione del valore della portata | At P1 = 8 bar, P2 = 6 bar and pressure drop $\Delta p = 1$ bar |
| Altri dati | User manual on request |



Articolo

| Denominazione | Filetto | Portata (L/min) | A (mm) | B | C (mm) | D (mm) | Dimensioni strutturali |
|----------------|---------|-----------------|--------|----------|--------|--------|------------------------|
| K- 07 25 06 35 | G 1/4 | 1550 | 51,0 | 164,0 mm | 21,0 | 143,0 | 1 |
| K- 07 25 06 37 | G 3/8 | 1800 | 51,0 | 164,0 mm | 21,0 | 143,0 | 1 |
| K- 07 25 06 39 | G 1/2 | 1800 | 51,0 | 164,0 mm | 21,0 | 143,0 | 1 |
| K- 07 25 06 41 | G 3/8 | 4900 | 68,0 | 191,5 mm | 25,0 | 166,5 | 2 |
| K- 07 25 06 43 | G 1/2 | 4900 | 68,0 | 191,5 mm | 25,0 | 166,5 | 2 |

Accessori

| | |
|------------------------------------|---|
| K-ERSATZBEHÄLTER G UND G-MINI POLY | Spare tanks »G« Series and »G-mini« Series Polycarbonat |
| K-SCHUTZKORB G | Protective cage |
| K-FILTERELEMENT | Filter element |
| K-HALTERBAUSATZ | Holder |
| K-VERBINDUNGSELEMENTE | Connecting sets |
| K-WANDHALTER | Wall bracket |