

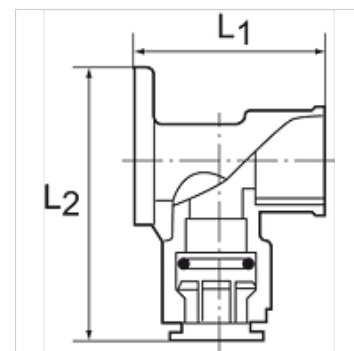
K-WANDWINKEL MS

wall elbows, brass

HANSA FLEX

Caratteristiche

Materiale di tenuta	NBR
Materiale	Ottone



Informazioni supplementari

A detailed brochure containing installation instructions and information about pipe sizing is available for this product range

Articolo

Denominazione	Filetto	per \varnothing esterno del tubo	L1 (mm)	L2 (mm)
K- 07 10 08 65	1/2 BSP	15 mm	47,0	66,4
K- 07 10 08 66	3/4 BSP	22 mm	52,0	79,0