

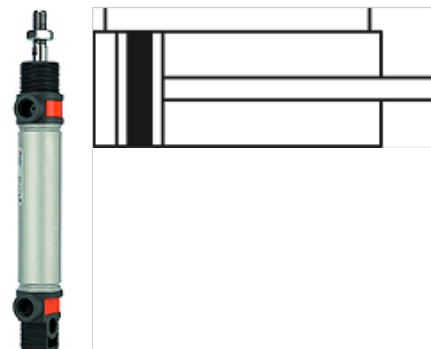
# K-RUNDZYLINDER DOPP O E D

## Round cylinders, double acting, magnetic, non-cushioned

**HANSA FLEX**

### Caratteristiche

<b>Mezzi</b>	Filtered (50 µm), unlubricated or lubricated compressed air. If lubrication is used, it must be continuous.
<b>Pressione di lavoro</b>	Max. 10 bar
<b>Pressione di intervento</b>	0,6 bar
<b>Campo della temperatura:</b>	-10 °C to +60 °C
<b>Struttura</b>	Connection: Aluminium pipe / end caps flanged
<b>Stelo del pistone</b>	Stainless steel 1.4301 (Ø 16), C45 steel, hard chrome-plated (Ø 20 and Ø 25)
<b>Tubo</b>	Aluminium alloy, anodised
<b>Coperchio, fondo, boccola di guida</b>	Technopolymer
<b>Guarnizione stelo pistone</b>	PU
<b>Guarnizione pistone</b>	PU



### Nota

Maximum recommended stroke: Ø 16 = stroke 200, Ø 20 and Ø 25 = stroke 500. Longer strokes can result in malfunctions.  
Altri dati su richiesta.

### Descrizione

Economy standard version with aluminum pipe and magnet piston.

### Informazioni supplementari

Important: The scope of supply does not include a connector. Please order separately.

### Articolo

Denominazione	Ø pistone	Corsa (mm)	Attacco	Filettatura esterna stelo pistone
K- 07 15 17 62	16 mm	10	M 5	M 6
K- 07 15 17 63	16 mm	25	M 5	M 6
K- 07 15 17 64	16 mm	50	M 5	M 6
K- 07 15 17 65	16 mm	80	M 5	M 6
K- 07 15 17 66	16 mm	100	M 5	M 6
K- 07 15 17 67	16 mm	125	M 5	M 6
K- 07 15 17 68	16 mm	160	M 5	M 6
K- 07 15 17 69	16 mm	200	M 5	M 6
K- 07 15 17 70	20 mm	10	G 1/8	M 8
K- 07 15 17 71	20 mm	25	G 1/8	M 8
K- 07 15 17 72	20 mm	50	G 1/8	M 8
K- 07 15 17 73	20 mm	80	G 1/8	M 8
K- 07 15 17 74	20 mm	100	G 1/8	M 8
K- 07 15 17 75	20 mm	125	G 1/8	M 8
K- 07 15 17 76	20 mm	160	G 1/8	M 8
K- 07 15 17 77	20 mm	200	G 1/8	M 8
K- 07 15 17 78	20 mm	250	G 1/8	M 8
K- 07 15 17 79	20 mm	500	G 1/8	M 8
K- 07 15 17 80	25 mm	10	G 1/8	M 10 x 1.25
K- 07 15 17 81	25 mm	25	G 1/8	M 10 x 1.25
K- 07 15 17 82	25 mm	50	G 1/8	M 10 x 1.25
K- 07 15 17 83	25 mm	80	G 1/8	M 10 x 1.25
K- 07 15 17 84	25 mm	100	G 1/8	M 10 x 1.25
K- 07 15 17 85	25 mm	125	G 1/8	M 10 x 1.25
K- 07 15 17 86	25 mm	160	G 1/8	M 10 x 1.25
K- 07 15 17 87	25 mm	200	G 1/8	M 10 x 1.25
K- 07 15 17 88	25 mm	250	G 1/8	M 10 x 1.25
K- 07 15 17 89	25 mm	500	G 1/8	M 10 x 1.25

### Accessori

<b>K-FUSSBEFESTIGUNG 5</b>	Foot model
<b>K-FLANSCHBEFESTIGUNGEN1</b>	Flange model



Nonostante il più attento esame non si possono escludere eventuali errori ed omissioni, non ci assumiamo alcuna responsabilità per le indicazioni contenute.

# K-RUNDZYLINDER DOPP O E D

Round cylinders, double acting, magnetic, non-cushioned

---

**HANSA FLEX**