

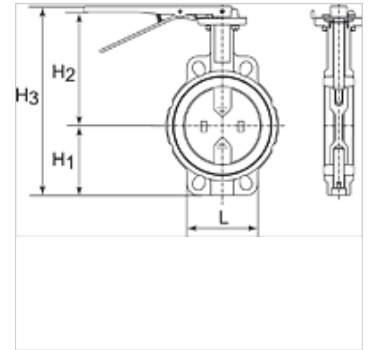
K-ZFL ABSP-KLAPPEN

Butterfly valves

HANSA FLEX

Caratteristiche

Pressione d'esercizio	Max. 16 bar
Temperatura d'esercizio	-15 °C to +120 °C
Mezzi	Water / steam, salt water, salt water, ester, ketone, alkali, caustic soda, sodium hydroxide. Not recommended for hydrocarbons
Campo della temperatura:	-20 °C to +120 °C
Alloggiamento	Grey cast iron GG25 epoxy resin coated, RAL 5015
Guarnizione	EPDM
Albero	SS416
Guarnizione albero	EPDM
Leva manuale	GG25 epoxy resin coated



Nota

Altri dati su richiesta.

Articolo

Denominazione	Disco	DN	B (mm)	H1 (mm)	H2 (mm)	H3 (mm)	L (mm)
K- 07 30 03 45	Stainless Steel CF8M/1.4404	40	38,0	68,0	94,0	198,0	94,0
K- 07 30 03 46	Stainless Steel CF8M/1.4404	50	47,0	71,0	143,0	236,0	100,0
K- 07 30 03 47	Stainless Steel CF8M/1.4404	65	49,0	78,0	155,0	255,0	115,0
K- 07 30 03 48	Stainless Steel CF8M/1.4404	80	47,0	89,0	162,0	273,0	127,0
K- 07 30 03 49	Stainless Steel CF8M/1.4404	100	56,0	102,0	178,0	302,0	163,0
K- 07 30 03 50	Stainless Steel CF8M/1.4404	125	59,0	123,0	191,0	336,0	190,0
K- 07 30 03 51	Stainless Steel CF8M/1.4404	150	59,0	138,0	205,0	365,0	216,0