

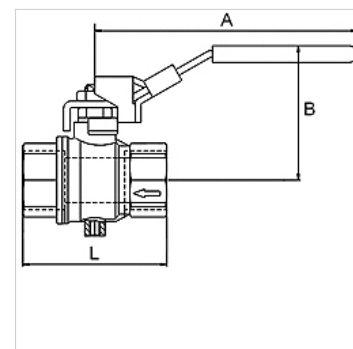
K-S-BKR M ENTL-BOHR ABSCHL

Safety ball valves, lockable, with relief port

HANSA FLEX

Caratteristiche

Temperatura d'esercizio	-10 °C to + 100 °C (depending on operating pressure)
Foro di sfiato	M 5 (>1": Relief port G 1/4")
Filettatura descrizione	Rp thread acc. to EN 10226
Alloggiamento	Nickel-plated brass
Leva manuale	Steel - PVC coated
Sfera	hardchrome-plated brass
Guarnizione sfera	PTFE
Guarnizione mandrino	PTFE



Nota

G thread acc. to DIN EN ISO 228-1, with ISO flange plate (acc. to ISO 5211)
Altri dati su richiesta.

Descrizione

2/2-way safety ball valves, two parts, made of nickel-plated brass. Specially designed for pneumatic applications. The valve shuts off the supply line and bleeds the application area. Lockable hand lever in closed position.

Informazioni supplementari

The price does not include a padlock. Please order separately.

Articolo

Denominazione	DN	Filetto	PN (bar)	A (mm)	B (mm)	L (mm)
K- 07 30 29 29	8	Rp 1/4	14	96,0	49,0	45,0
K- 07 30 29 30	10	Rp 3/8	14	96,0	49,0	45,0
K- 07 30 29 31	15	Rp 1/2	14	96,0	51,0	59,0
K- 07 30 29 32	20	Rp 3/4	14	117,0	60,0	64,0
K- 07 30 29 33	25	Rp 1	14	117,0	64,0	81,0
K- 07 30 29 34	32	Rp 1 1/4	14	157,0	80,0	93,0
K- 07 30 29 35	40	Rp 1 1/2	14	157,0	86,0	102,0
K- 07 30 29 36	50	Rp 2	14	157,0	93,0	121,0

Accessori

K-VORHAENGESCHLOSS Padlock