

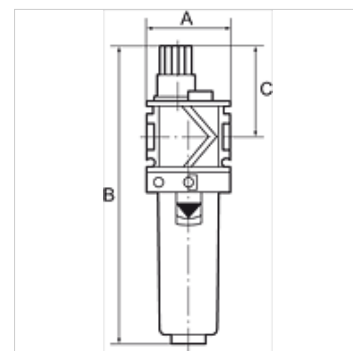
K-NEBELOELER PC-BEHÄLTER S VARIOBL

Oil-mist lubricators with polycarbonate bowl and bowl guard

HANSA FLEX

Caratteristiche

| | |
|---|--|
| Pressione d'ingresso | Max. 16 bar (polycarbonate bowl), Max. 20 bar (metal bowl) |
| Temperatura del fluido | max. 50 °C |
| Temperatura ambiente | Max. 50 °C (polycarbonate bowl), Max. 80 °C (metal bowl) |
| Materiale di tenuta | NBR |
| Alloggiamento | Die-cast zinc |
| Contagocce | PA |
| Tipo di olio | CL 32 acc. to DIN 51517 - ISO VG 32 |
| Misurazione del valore della portata | At P1 = 6 bar and pressure drop $\Delta p = 1$ bar |



Nota

Altri dati su richiesta.

Descrizione

Proportional lubricators, oil can be filled under pressure. Approved series in modern industrial design, with the following key benefits: Simple handling, Convenient modular assembly thanks to innovative fasteners, Excellent flow values.

Avvertenza per l'ordinazione

Oil-mist lubricators are also available with bowl guard or metal bowl.

Articolo

| Denominazione | Filetto | Portata (L/min) | A (mm) | B | C (mm) |
|----------------|---------|-----------------|--------|----------|--------|
| K- 07 25 22 87 | G 1 | 7500 | 124,0 | 224,0 mm | 57,0 |
| K- 07 25 22 88 | G 3/4 | 7500 | 70,0 | 224,0 mm | 57,0 |
| K- 07 25 22 89 | G 1/2 | 4600 | 70,0 | 224,0 mm | 57,0 |
| K- 07 25 22 90 | G 3/8 | 4400 | 48,0 | 171,0 mm | 52,0 |
| K- 07 25 22 91 | G 1/4 | 3400 | 48,0 | 171,0 mm | 52,0 |