

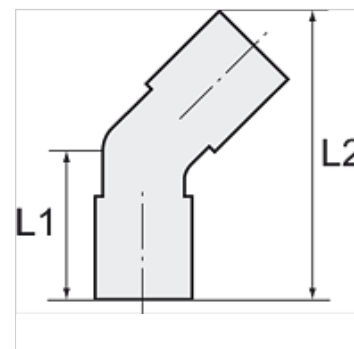
# K-STECKVERSCHR 45° DRE AG-K

45° union elbows, swivel type, conical male thread, coated

**HANSA FLEX**

## Caratteristiche

<b>Pressione di lavoro</b>	Max. 15 bar, coarse vacuum
<b>Campo di impiego</b>	Air, vacuum
<b>Tubi flessibili consigliati</b>	PU or PA (nylon)
<b>Mezzi</b>	Compressed air and all gases or liquids that are compatible with the materials
<b>Campo della temperatura:</b>	-20 °C to +80 °C
<b>Superficie di tenuta</b>	Conical version: thread coating
<b>Materiale</b>	Plastic, Nickel plated brass
<b>Anello di compressione</b>	Plastic



## Nota

Altri dati su richiesta.

## Descrizione

Push-in fittings series manufactured in plastic and nickel-plated brass. All parts are suitable for use with hoses, tubes or pipes made of plastic and copper.

## Articolo

Denominazione	Filetto	per diametro esterno del tubo flessibile Ø mm	L1 (mm)	L2 (mm)	SW
K- 07 40 04 81	R 1/8	4 mm	22,7	38,5	10 mm
K- 07 40 04 82	R 1/8	6 mm	24,4	42,0	12 mm
K- 07 40 04 83	R 1/8	8 mm	27,6	48,0	14 mm
K- 07 40 04 80	R 1/8	10 mm	30,2	53,6	17 mm
K- 07 40 04 77	R 1/4	4 mm	25,7	41,5	14 mm
K- 07 40 04 78	R 1/4	6 mm	26,9	44,5	14 mm
K- 07 40 04 79	R 1/4	8 mm	29,6	50,0	14 mm
K- 07 40 04 75	R 1/4	10 mm	32,2	55,6	17 mm
K- 07 40 04 76	R 1/4	12 mm	35,2	61,9	21 mm
K- 07 40 04 86	R 3/8	6 mm	28,4	46,0	17 mm
K- 07 40 04 87	R 3/8	8 mm	31,1	51,5	17 mm
K- 07 40 04 84	R 3/8	10 mm	33,2	56,6	17 mm
K- 07 40 04 85	R 3/8	12 mm	36,2	62,9	21 mm
K- 07 40 04 73	R 1/2	6 mm	31,9	49,5	21 mm
K- 07 40 04 74	R 1/2	8 mm	34,6	55,0	21 mm
K- 07 40 04 71	R 1/2	10 mm	36,7	60,1	21 mm
K- 07 40 04 72	R 1/2	12 mm	39,2	65,9	21 mm